

SUCTION CUPS / Universal

VU3

Features and Strengths

Excellent performance for flat stable and slightly curved surfaces with direct fitting
Suitable for concave surface

Examples of use

Small components, Semiconductor chips, Packaging materials,
Metal sheet, Printing industry, Paper box



Recommended Lifting Force (Max.)

Model	Volume (cm ³)	Lifting Force (Kg) - Perpendicular		
		- 20 kPa	- 60 kPa	- 90 kPa
VU3	0.005	0.009	0.04	0.06

※ The lifting force above does not include safety factor

Material Specifications

Material	Hardness Shore (°)	Color	Temperature (°C)
NBR	60	Black	-20~110
Silicone	55	Red	-70~200
White Silicone	55	Translucent White	-70~200
White Silicone (FDA)	55	Translucent White	-70~200
High temp. Silicone	50	Blue	-70~280
Conductive Silicone	70	Smoky Black	-45~90
Urethane	60	Dark Green	0~100
Mark Free	75	Black	-10~100

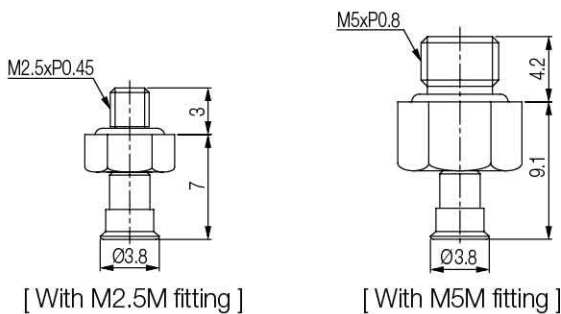
※ For additional material, see page 32~33

Material Resistance

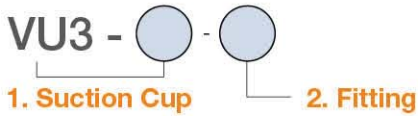
Description	NBR	Silicone	White Silicone	High temp. Silicone	Conductive Silicone	Urethane	Mark Free
Wear Resistance	Excellent	Good	Good	Good	Good	Excellent	Good
Oil	Excellent	Poor	Poor	Poor	Poor	Excellent	Excellent
Weather / Ozone	Fair	Excellent	Excellent	Excellent	Excellent	Excellent	Excellent
Alcohol	Good	Good	Good	Good	Good	Fair	Good
Acid	Fair	Poor	Poor	Poor	Poor	Poor	Excellent

Dimension

[Unit : mm]



I Build an Ordering No.



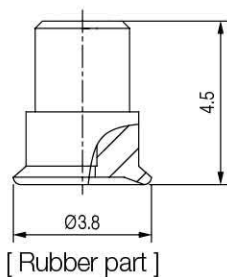
1. Suction cup	Description	Symbol
	Universal suction cup, 3mm diameter, Nitrile (NBR)	VU3-N
	Universal suction cup, 3mm diameter, Silicone	VU3-S
	Universal suction cup, 3mm diameter, White silicone	VU3-WS
	Universal suction cup, 3mm diameter, White silicone (FDA)	VU3-WS (FDA)
	Universal suction cup, 3mm diameter, High temperature silicone	VU3-HS
	Universal suction cup, 3mm diameter, Conductive silicone	VU3-CS
	Universal suction cup, 3mm diameter, Urethane	VU3-U
	Universal suction cup, 3mm diameter, Mark free	VU3-A

2. Fitting	Description	Symbol
	Fitting, M2.5 male	M2.5M
	Fitting, M5 male	M5M

I Spare Parts – Rubber Parts

Part No.	Description	Weight (g)	Color
VU3-N	Universal suction cup, 3mm diameter, Nitrile (NBR)	0.01	Black
VU3-S	Universal suction cup, 3mm diameter, Silicone	0.01	Red
VU3-WS	Universal suction cup, 3mm diameter, White silicone	0.01	Translucent White
VU3-WS (FDA)	Universal suction cup, 3mm diameter, White silicone (FDA)	0.01	Translucent White
VU3-HS	Universal suction cup, 3mm diameter, High temperature silicone	0.01	Blue
VU3-CS	Universal suction cup, 3mm diameter, Conductive silicone	0.01	Smoky Black
VU3-U	Universal suction cup, 3mm diameter, Urethane	0.01	Dark Green
VU3-A	Universal suction cup, 3mm diameter, Mark free	0.01	Black

[Unit : mm]



I Spare Parts – Fittings

Part No. (Code No.)	Fitting size	Description	Weight (g)
350 000 3000	M2.5M	M2.5 male	0.47
350 000 3100	M5M	M5 male	0.54