

SUCTION CUPS / Flat

VF40



Features and Strengths

Specifically designed for flat and curved surface
Available to handle multiple objects with the same suction cup

Examples of use

Metal sheet, Veneer sheets, Glass, Electronic components



Recommended Lifting Force (Max.)

Model	Volume (cm ³)	Lifting Force (Kg) - Perpendicular			Lifting Force (Kg) - Parallel		
		- 20 kPa	- 60 kPa	- 90 kPa	- 20 kPa	- 60 kPa	- 90 kPa
VF40	4.80	2.04	4.08	5.10	1.53	2.55	3.06

※ The lifting force above does not include safety factor

Material Specifications

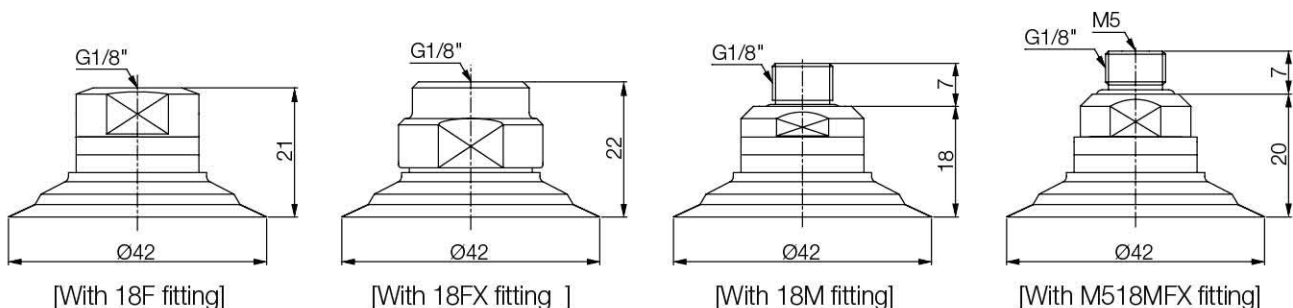
Material	Hardness Shore (°)	Color	Temperature (°C)
NBR	60	Black	-20~110
Silicone	55	Red	-70~200
White Silicone	55	Translucent White	-70~200
White Silicone (FDA)	55	Translucent White	-70~200
High temp. Silicone	50	Blue	-70~280
Conductive Silicone	70	Smoky Black	-45~90
Urethane	60	Dark Green	0~100
Mark Free	75	Black	-10~100
Polyurethane	60	Translucent Orange	0~60

Material Resistance

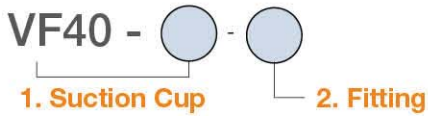
Description	NBR	Silicone	White Silicone	High temp. Silicone	Conductive Silicone	Urethane	Mark Free	Polyurethane
Wear Resistance	Excellent	Good	Good	Good	Good	Excellent	Good	Excellent
Oil	Excellent	Poor	Poor	Poor	Poor	Excellent	Excellent	Excellent
Weather / Ozone	Fair	Excellent	Excellent	Excellent	Excellent	Excellent	Excellent	Excellent
Alcohol	Good	Good	Good	Good	Good	Fair	Good	Fair
Acid	Fair	Poor	Poor	Poor	Poor	Poor	Excellent	Fair

Dimension

[Unit : mm]



Build an Ordering No.



1. Suction cup	Description	Symbol
	Flat suction cup, 40mm diameter, Nitrile (NBR)	VF40-N
	Flat suction cup, 40mm diameter, Silicone	VF40-S
	Flat suction cup, 40mm diameter, White silicone	VF40-WS
	Flat suction cup, 40mm diameter, White silicone (FDA)	VF40-WS (FDA)
	Flat suction cup, 40mm diameter, High temperature silicone	VF40-HS
	Flat suction cup, 40mm diameter, Conductive silicone	VF40-CS
	Flat suction cup, 40mm diameter, Urethane	VF40-U
	Flat suction cup, 40mm diameter, Mark free	VF40-A
	Flat suction cup, 40mm diameter, Polyurethane	VF40-PU

2. Fitting	Description	Symbol
	Fitting, G1/8 female	18F
	Fitting, G1/8 female, Mesh filter	M-18F
	Efficiency valve, Fitting, G1/8 female	18F-EV
	Fitting, G1/8 female, Button valve	18F-BV
	Fitting, G1/8 female, Old profile	18FO
	Fitting, G1/8 female, Old profile, Mesh filter	M-18FO
	Fitting, G1/8 female, For silicone material	18FX*
	Fitting, G1/8 male	18M
	Fitting, G1/8 male, Mesh filter	M-18M
	Efficiency valve, Fitting, G1/8 male	18M-EV
	Fitting, G1/4 male	14M
	Fitting, G1/4 male, Mesh filter	M-14M
	Efficiency valve, Fitting, G1/4 male	14M-EV

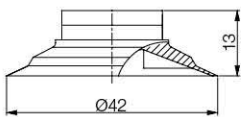
※ 18FX* is available only for Silicone material.

Spare Parts – Rubber Parts

Part No.	Description	Weight (g)	Color
VF40-N	Flat suction cup, 40mm diameter, Nitrile (NBR)	5.40	Black
VF40-S	Flat suction cup, 40mm diameter, Silicone	5.16	Red
VF40-WS	Flat suction cup, 40mm diameter, White silicone	5.16	Translucent White
VF40-WS (FDA)	Flat suction cup, 40mm diameter, White silicone (FDA)	5.16	Translucent White
VF40-HS	Flat suction cup, 40mm diameter, High temperature silicone	5.16	Blue
VF40-CS	Flat suction cup, 40mm diameter, Conductive silicone	5.24	Smoky Black
VF40-U	Flat suction cup, 40mm diameter, Urethane	5.42	Dark Green
VF40-A	Flat suction cup, 40mm diameter, Mark free	6.56	Black
VF40-PU	Flat suction cup, 40mm diameter, Polyurethane	4.93	Translucent Orange

Dimension

[Unit : mm]



[Rubber Part]

Spare Parts – Fittings

Part No. (Code No.)	Fitting size	Description	Weight (g)
350 000 3311	18F	G1/8 female	5.68
350 000 4311	18F-F	G1/8 female, Mesh filter	5.73
350 010 3311	18F-EV	Efficiency valve, G1/8 female	5.63
350 020 3311	18F-BV	G1/8 female, Button valve	5.86
350 000 2311	18FO	G1/8 female, Old profile	8.24
350 000 4811	18FO-F	G1/8 female, Old profile, Mesh filter	8.41
350 000 3321	18FX	G1/8 female, For silicone material	8.58
350 000 2304	18M	G1/8 male	4.93
350 000 4304	18M-F	G1/8 male, Mesh filter	5.04
350 010 2304	18M-EV	Efficiency valve, G1/8 male	5.08
350 000 3404	14M	G1/4 male	5.88
350 000 3804	14M-F	G1/4 male, Mesh filter	5.92
350 010 3404	14M-EV	Efficiency valve, G1/4 male	6.03