

SUCTION CUPS / Multi Bellows & Flat

VBF80



Features and Strengths

Highly fast operation in automobile, glass and wooden panel industry
 Excellent for oily surface products and convex products
 Innovatively designed for slightly curved and flat material

Examples of use

Metal Sheets, Car panels, Press metal sheets,
 Glass, Carton boxes, Electronic goods, Carton boxes, Furniture, Wood panel



Recommended Lifting Force (Max.)

Model	Volume (cm ³)	Lifting Force (Kg) - Perpendicular			Lifting Force (Kg) - Parallel		
		- 20 kPa	- 60 kPa	- 90 kPa	- 20 kPa	- 60 kPa	- 90 kPa
VBF80	59.50	11.92	21.68	24.72	9.12	17.12	22.56

※ The lifting force above does not include safety factor

Material Specifications

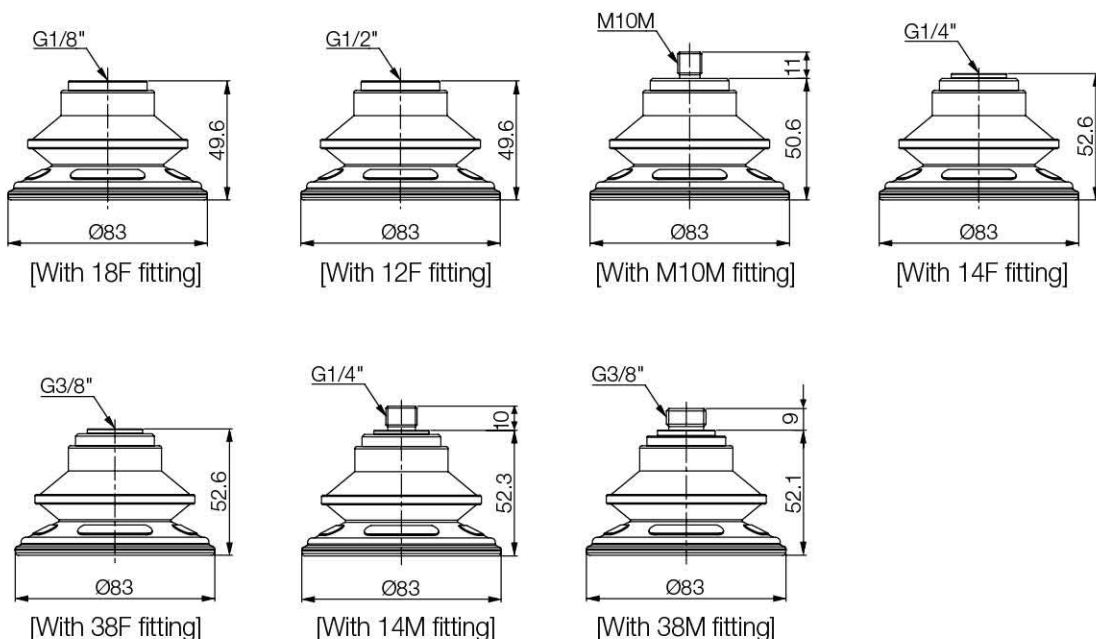
Material	Hardness Shore (°)	Color	Temperature (°C)
NBR	60	Blue	-20~110
Silicone	55	Red	-70~200
Polyurethane	60	Translucent Orange	0~60

Material Resistance

Description	NBR	Silicone	Polyurethane
Wear Resistance	Excellent	Good	Excellent
Oil	Excellent	Poor	Excellent
Weather / Ozone	Fair	Excellent	Excellent
Alcohol	Good	Good	Fair
Acid	Fair	Poor	Fair

Dimension

[Unit : mm]



I Build an Ordering No.



: Pre-mounted fitting

1. Suction cup	Description	Weight (g)	Symbol
	Bellows-flat suction cup, 80mm diameter, Nitrile (NBR), M10xP1.5 male fitting	76.84	VBF80-N-M10M
	Bellows-flat suction cup, 80mm diameter, Silicone, M10xP1.5 male fitting	77.65	VBF80-S-M10M
	Bellows-flat suction cup, 80mm diameter, Polyurethane, M10xP1.5 male fitting	83.42	VBF80-PU-M10M
	Bellows-flat suction cup, 80mm diameter, Nitrile (NBR), G1/8 female fitting	83.03	VBF80-N-18F
	Bellows-flat suction cup, 80mm diameter, Silicone, G1/8 female fitting	76.47	VBF80-S-18F
	Bellows-flat suction cup, 80mm diameter, Polyurethane, G1/8 female fitting	80.74	VBF80-PU-18F
	Bellows-flat suction cup, 80mm diameter, Nitrile (NBR), G1/4 female fitting	77.94	VBF80-N-14F
	Bellows-flat suction cup, 80mm diameter, Silicone, G1/4 female fitting	74.39	VBF80-S-14F
	Bellows-flat suction cup, 80mm diameter, Polyurethane, G1/4 female fitting	77.81	VBF80-PU-14F
	Bellows-flat suction cup, 80mm diameter, Nitrile (NBR), G1/4 male fitting	83.38	VBF80-N-14M
	Bellows-flat suction cup, 80mm diameter, Silicone, G1/4 male fitting	79.13	VBF80-S-14M
	Bellows-flat suction cup, 80mm diameter, Polyurethane, G1/4 male fitting	83.25	VBF80-PU-14M
	Bellows-flat suction cup, 80mm diameter, Nitrile (NBR), G3/8 female fitting	74.65	VBF80-N-38F
	Bellows-flat suction cup, 80mm diameter, Silicone, G3/8 female fitting	80	VBF80-S-38F
	Bellows-flat suction cup, 80mm diameter, Polyurethane, G3/8 female fitting	83.36	VBF80-PU-38F
	Bellows-flat suction cup, 80mm diameter, Nitrile (NBR), G3/8 male fitting	78.54	VBF80-N-38M
	Bellows-flat suction cup, 80mm diameter, Silicone, G3/8 male fitting	83.23	VBF80-S-38M
	Bellows-flat suction cup, 80mm diameter, Polyurethane, G3/8 male fitting	72.5	VBF80-PU-38M
	Bellows-flat suction cup, 80mm diameter, Nitrile (NBR), G1/2 female fitting	68.03	VBF80-N-12F
	Bellows-flat suction cup, 80mm diameter, Silicone, G1/2 female fitting	72.37	VBF80-S-12F
	Bellows-flat suction cup, 80mm diameter, Polyurethane, G1/2 female fitting	71.87	VBF80-PU-12F