

# SUCTION CUPS / Multi Bellows & Flat

## VBF50



### Features and Strengths

Highly fast operation in automobile, glass and wooden panel industry  
 Excellent for oily surface products and convex products  
 Innovatively designed for slightly curved and flat material



### Examples of use

Metal Sheets, Car panels, Press metal sheets,  
 Glass, Carton boxes, Electronic goods, Carton boxes, Furniture, Wood panel

### Recommended Lifting Force (Max.)

Model	Volume (cm <sup>3</sup> )	Lifting Force (Kg) - Perpendicular			Lifting Force (Kg) - Parallel		
		- 20 kPa	- 60 kPa	- 90 kPa	- 20 kPa	- 60 kPa	- 90 kPa
VBF50	11.00	4.18	13.20	16.28	2.09	9.60	14.70

※ The lifting force above does not include safety factor

### Material Specifications

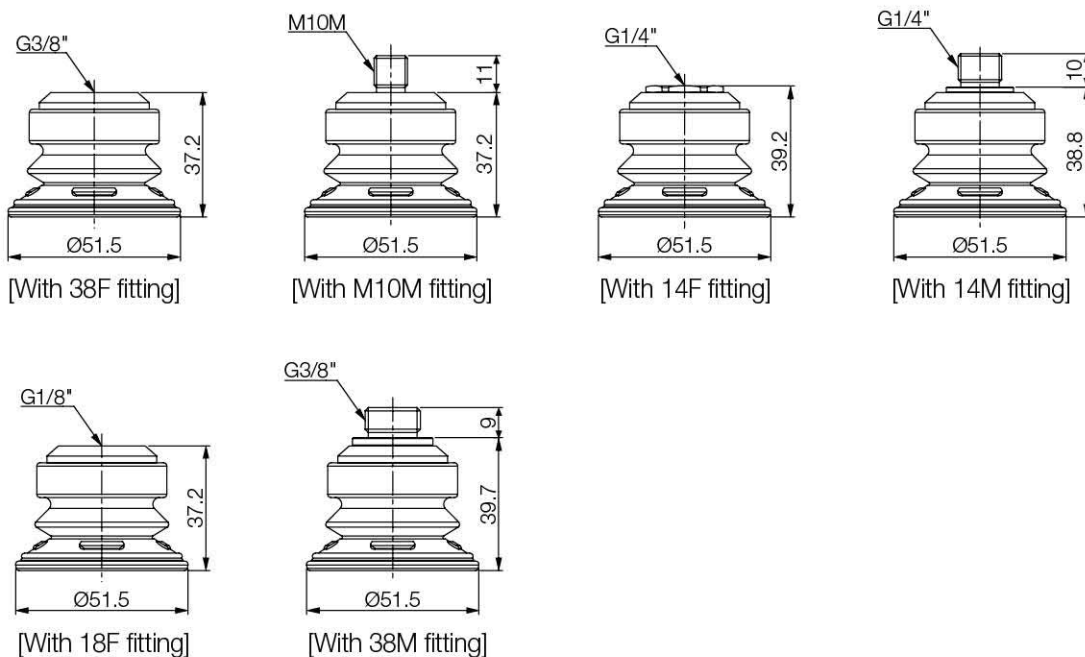
Material	Hardness Shore (°)	Color	Temperature (°C)
NBR	60	Blue	-20~110
Silicone	55	Red	-70~200
Polyurethane	60	Translucent Orange	0~60

### Material Resistance

Description	NBR	Silicone	Polyurethane
Wear Resistance	Excellent	Good	Excellent
Oil	Excellent	Poor	Excellent
Weather / Ozone	Fair	Excellent	Excellent
Alcohol	Good	Good	Fair
Acid	Fair	Poor	Fair

### Dimension

[ Unit : mm ]



## Build an Ordering No.



: Pre-mounted fitting

1. Suction cup	Description	Weight (g)	Symbol
	Bellows-flat suction cup, 50mm diameter, Nitrile (NBR), M10xP1.5 male fitting	46.21	VBF50-N-M10M
	Bellows-flat suction cup, 50mm diameter, Silicone, M10xP1.5 male fitting	46.7	VBF50-S-M10M
	Bellows-flat suction cup, 50mm diameter, Polyurethane, M10xP1.5 male fitting	50.16	VBF50-PU-M10M
	Bellows-flat suction cup, 50mm diameter, Nitrile (NBR), G1/8 female fitting	48.4	VBF50-N-18F
	Bellows-flat suction cup, 50mm diameter, Silicone, G1/8 female fitting	43.3	VBF50-S-18F
	Bellows-flat suction cup, 50mm diameter, Polyurethane, G1/8 female fitting	47.19	VBF50-PU-18F
	Bellows-flat suction cup, 50mm diameter, Nitrile (NBR), G1/4 female fitting	47.79	VBF50-N-14F
	Bellows-flat suction cup, 50mm diameter, Silicone, G1/4 female fitting	41.34	VBF50-S-14F
	Bellows-flat suction cup, 50mm diameter, Polyurethane, G1/4 female fitting	45	VBF50-PU-14F
	Bellows-flat suction cup, 50mm diameter, Nitrile (NBR), G1/4 male fitting	52.34	VBF50-N-14M
	Bellows-flat suction cup, 50mm diameter, Silicone, G1/4 male fitting	47.72	VBF50-S-14M
	Bellows-flat suction cup, 50mm diameter, Polyurethane, G1/4 male fitting	51.13	VBF50-PU-14M
	Bellows-flat suction cup, 50mm diameter, Nitrile (NBR), G3/8 female fitting	42.64	VBF50-N-38F
	Bellows-flat suction cup, 50mm diameter, Silicone, G3/8 female fitting	42.37	VBF50-S-38F
	Bellows-flat suction cup, 50mm diameter, Polyurethane, G3/8 female fitting	44.89	VBF50-PU-38F
	Bellows-flat suction cup, 50mm diameter, Nitrile (NBR), G3/8 male fitting	50.49	VBF50-N-38M
	Bellows-flat suction cup, 50mm diameter, Silicone, G3/8 male fitting	49.59	VBF50-S-38M
	Bellows-flat suction cup, 50mm diameter, Polyurethane, G3/8 male fitting	52.74	VBF50-PU-38M