

VMECA VACUUM CARTRIDGE

VC253

Features and Strengths

- Three stage – VMECA mini premium cartridge
- Deep vacuum level (-94.5 kPa) with large vacuum flow (146NI/min)
- International patent
- Reliable performance despite inconsistent compressed air pressure



Specifications

Description	VC253
Max. Vacuum level	-94 kPa
Open Vacuum flow	146 NI/min
Max. Feed pressure	7 bar
Temperature	-20 ~ 80 °C
Material	PPS, POM, NBR, AL(Holding plug)
Weight	14.12 g

Vacuum Flow

Model	Max. vacuum (-kPa)	Feed Pressure (bar)	Vacuum flow (NI/min) at different vacuum levels (-kPa)									
			0	10	20	30	40	50	60	70	80	90
VC253	90	5.0	137	105	63	42	32.5	26	21	17	11	3.1
	94	5.5	141	109	71	51	32	26	22	17.5	11	2.8
	93.5	6.0	146	108	75	60	42	25	21	16	9.6	2.3

Evacuation Time

Model	Feed Pressure (bar)	Air Consumption (NI/min)	Evacuation time in sec / liter to reach different vacuum levels (-kPa)									
			10	20	30	40	50	60	70	80	90	
VC253	5.0	70.5	0.034	0.136	0.23	0.43	0.52	0.82	1.82	2.46	4.22	
	5.5	77.0	0.034	0.125	0.24	0.37	0.5	0.8	1.1	1.5	4.75	
	6.0	83.5	0.033	0.073	0.11	0.12	0.31	0.79	1.1	1.65	5.5	

Build an Ordering No.

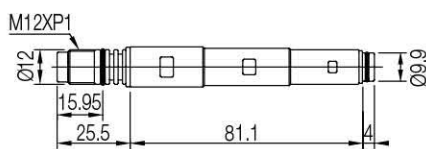
1. Cartridge	Description	Ordering No.
	Mini premium vacuum cartridge, 3-stage	VC253
	Mini premium vacuum cartridge, 3-stage, Non-return valve	VC253-N
	Mini premium vacuum cartridge, 3-stage, Holding plug	VC253P
	Mini premium vacuum cartridge, 3-stage, Holding plug, Non-return valve	VC253P-N
	Mini premium vacuum cartridge, 3-stage, Silencer	VC253S
	Mini premium vacuum cartridge, 3-stage, Silencer, Non-return valve	VC253S-N
	Mini premium vacuum cartridge, 3-stage with vacuum filter, M25 silencer	VC253FS1
	Mini premium vacuum cartridge, 3-stage with vacuum filter, M25 silencer, Non-return valve	VC253FS1-N

Spare Parts – Plug

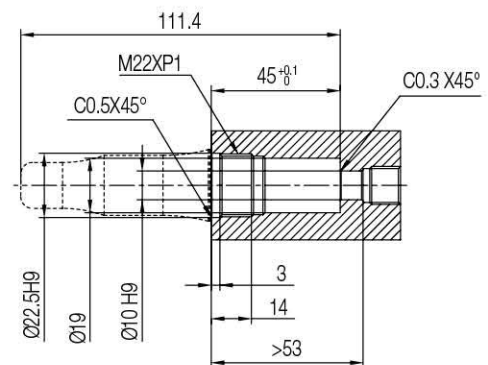
Model	Description	Weight (g)
VCP-M25-253	Holding plug	27.13
VTS-M25-253	M25 silencer	27.13

Dimension - Basic Pump

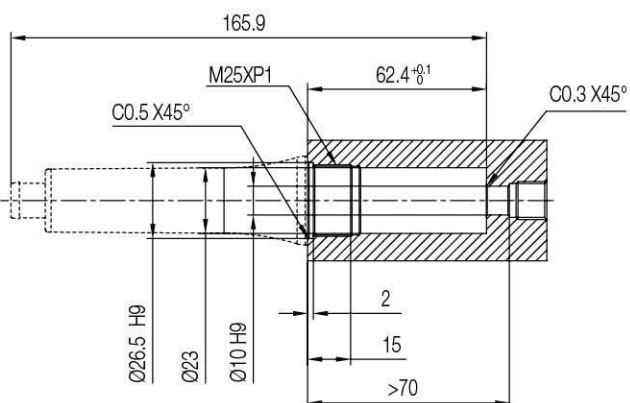
[Unit : mm]



VC253



VC253P



VC253FS1