

VMECA VACUUM CARTRIDGE

VC202

Features and Strengths

- Two stage – VMECA mini cartridge
- High vacuum level (-90 kPa) at low air pressure
- Efficient air consumption with high vacuum level and vacuum flow
- International patent
- Reliable performance despite inconsistent compressed air pressure



Specifications

Description	VC202
Max. Vacuum level	-90 kPa
Open Vacuum flow	41.3 NI/min
Max. Feed pressure	7 bar
Temperature	-20 ~ 80 °C
Material	PPS, POM, NBR, AL(Holding plug)
Weight	2.67 g

Vacuum Flow

Model	Max. vacuum (-kPa)	Feed Pressure (bar)	Vacuum flow (NI/min) at different vacuum levels (-kPa)									
			0	10	20	30	40	50	60	70	80	90
VC202	50	1.7	35	25.4	12.8	8.3	4	-	-	-	-	-
	65	2.2	38.8	29.5	17	11.5	8	5.2	1.4	-	-	-
	90	3.14	41.3	36.9	26	15.8	11	8.9	6.6	3.9	2	-
	85	4	40	36.5	31	23	14.1	7.6	6.4	3.9	1.3	-

Evacuation Time

Model	Feed Pressure (bar)	Air Consumption (NI/min)	Evacuation time in sec / liter to reach different vacuum levels (-kPa)								
			10	20	30	40	50	60	70	80	90
VC202	1.7	17	0.26	0.59	1.29	2.56	-	-	-	-	-
	2.2	20	0.18	0.48	0.95	1.55	2	2.5	-	-	-
	3.14	26	0.15	0.37	0.61	1.5	1.5	2	3.8	6.2	-
	4	32	0.14	0.39	0.59	0.9	1.2	1.8	3.2	6.9	-

Build an Ordering No.

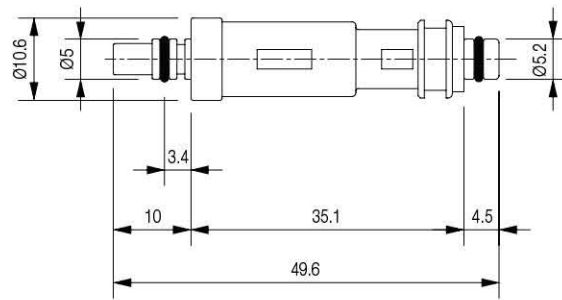
1. Cartridge	Description	Ordering No.
	Mini vacuum cartridge, 2-stage	VC202
	Mini vacuum cartridge, 2-stage, Non-return valve	VC202-N
	Mini vacuum cartridge, 2-stage, Holding plug	VC202P
	Mini vacuum cartridge, 2-stage, Holding plug, Non-return valve	VC202P-N

Spare Parts – Plug

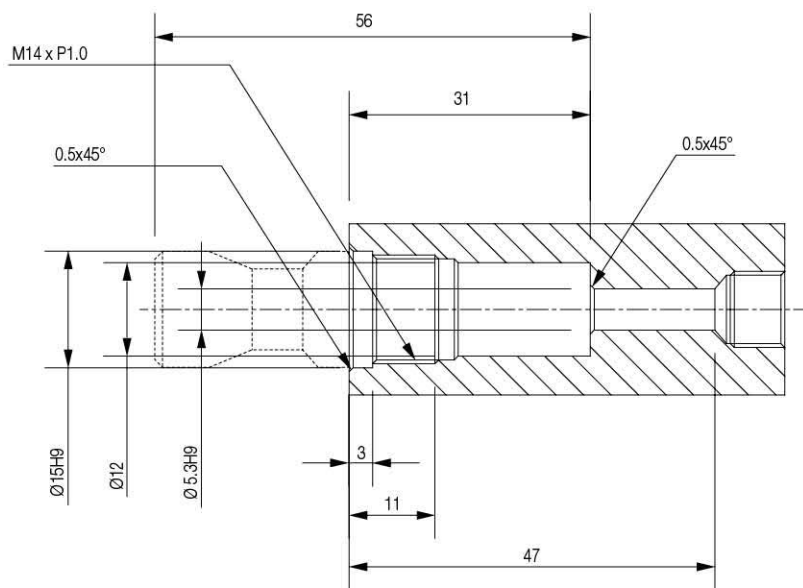
Model	Description	Weight (g)
VCP-M14	Holding plug	6.01

Dimension - Basic Pump

[Unit : mm]



VC202



VC202P