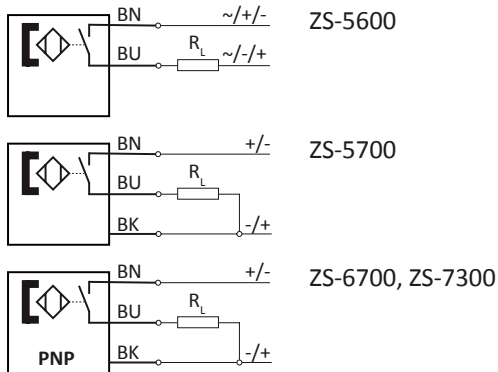
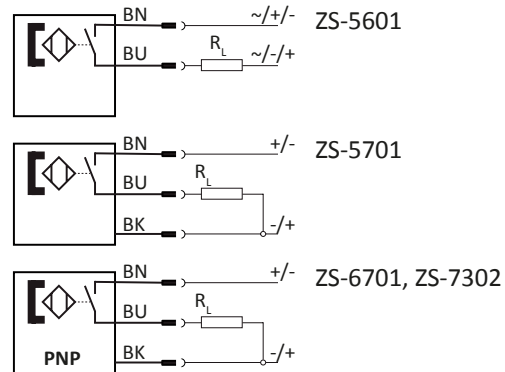


Proximity sensors with cable

Proximity sensors with plug

Technical data

Model-no.:	ZS-5600	ZS-5601	ZS-5700	ZS-5701
Design				
Contact function	2-pole Reed sensor	2-pole Reed sensor	3-pole Reed sensor	3-pole Reed sensor
Rated operational voltage	5 ... 240 V AC / DC	5 ... 60 V AC / DC	5 ... 30 V DC	5 ... 30 V DC
Rated operational current I_E	3 ... 100 mA	3 ... 100 mA	≤ 500 mA	≤ 500 mA
Max. voltage drop at I_E	≤ 2.5	≤ 2.5	≤ 0.1	≤ 0.1
Breaking capacity	10 W	10 W	10 W	10 W
Cable length	3 m	0.3 m with M8 connection	5 m	0.3 m with M8 connection
Temperature range	-10 ... +70°C	-10 ... +70°C	-10 ... +70°C	-10 ... +70°C
Protection	IP 67	IP 67	IP 67	IP 67
Switching status indication	LED red	LED red	LED yellow	LED yellow

Model-no.:	ZS-6700	ZS-6701	ZS-7300	ZS-7302
Design				
Contact function	3-pole inductive	3-pole inductive	3-pole inductive	3-pole inductive
Output	NO	NO	NO	NO
Rated operational voltage	PNP	PNP	PNP	PNP
Rated operational current I_E	5 ... 30 V DC	5 ... 30 V DC	10 ... 30 V DC	10 ... 30 V DC
Max. voltage drop at I_E	≤ 200 mA	≤ 200 mA	≤ 100 mA	≤ 100 mA
Breaking capacity	≤ 1.0	≤ 1.0	≤ 2.5	≤ 2.5
Cable length	6 W	6 W	3 W	3 W
Temperature range	3 m	0.3 m with M8 connection	6 m	0.3 m with M12 connection
Protection	-10 ... +70°C	-10 ... +70°C	-20 ... +60°C	-20 ... +60°C
Switching status indication	IP 67	IP 67	IP 67	IP 67
	LED green	LED green	LED yellow	LED yellow
	-	-	II 3G Ex nA T4 II 3D Ex tD A22 IP67 T 125°C	II 3D Ex tc IIIC T125°C Dc X

Series ZS

Proximity sensors

Cable with bushing for proximity sensors

Model-no.:	KA-30	KA-50	KA-51	KA-100	KA-101
Connection	M8, snap-in	M8, snap-in	M8, snap-in	M8, snap-in	M8, snap-in
Version	straight	straight	elbow 90°	straight	elbow 90°
Cable length	3 m	5 m	5 m	10 m	10 m

Mounting

The sensors are mounted at the groove of the cylinder profile. It is fixed by turning the fixing screw at the sensor clockwise. The cover stripe XLB-011 (see below) can be used for protecting the sensor cable.

A direct sensor mounting is possible for following series:

Series XL

Series NXD, Series NXE

Series NYD, Series NYE, Series NYSE

Series LX

Series ZX



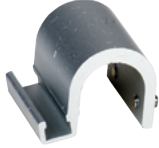
For this cylinder series separate mounting brackets are necessary for the sensor mounting:

Series XG, Series XM


Series HM, Series HE, Series HMU

Series CM

Mounting brackets for proximity sensors

Model-no.:	NT-250	NT-500	HTM-080/100-1
			
Design	sensor mounting	sensor mounting	mounting bracket for tie rod design
For series	HM, HE, CM, XG, XM	HMU	XG-160, XG-200

Cover for sensor groove

Model-no.:	XLB-011
	
Design	plastic profile, 50 cm length, blue
For series	XL, NXD, NXE, NYD, NYE, NYSE, LX