

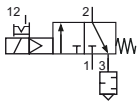
3/2-way inline valve VMY

Technical details

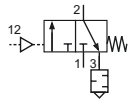
Temperature range	0°C ... +50°C
Input range	electrically operated: 2 ... 10 bar pneumatically operated: max. 16 bar (size Y0 max. 12 bar)
Mounting	arbitrary
Medium	compressed air according to ISO 8573-1:2010, neutral gases
Materials	Body: Grivory (PA66) and POM, seals: NBR, inner parts: zinc coated steel, stainless steel and brass
Schutzart	IP 65 according to EN 60529



3/2-way poppet valve, electrically or pneumatically operated.
Silencer is mounted in exhaust.
Plug socket is included.



electrically operated
3/2-way, single solenoid, mechanical
spring return, NC



pneumatically operated
3/2-way, single pilot, mechanical
spring return, NC

Order code

Series		VMY-***-00-0-000*		Versions	
Connection / Size		Digit 4	Version		
04	G1/4 / Y0		A	24 V DC, 2.5 W	
14	G1/4 / Y1		D	115 V AC, 3 VA	
37	G3/8 / Y1		E	230 V AC, 3 VA	
38	G3/8 / Y2		F	pneumatically operated	
12	G1/2 / Y2				
34	G3/4 / Y3				
10	G1 / Y3				

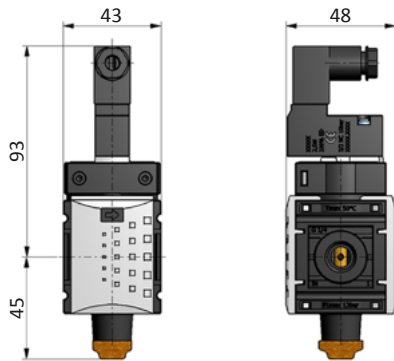
Technical data

Model-no.:	VMY-04-...	VMY-14-...	VMY-37-...	VMY-38-...	VMY-12-...	VMY-34-...	VMY-10-...
Connection	G1/4	G1/4	G3/8	G3/8	G1/2	G3/4	G1
Size	Y0	Y1	Y1	Y2	Y2	Y3	Y3
Flow (1-2 in NI/min)	2000	2000	2000	4300	4300	12500	12500
Weight (Version A-E) (kg)	0.22	0.28	0.27	0.59	0.58	0.78	0.71
Weight (Version F) (kg)	0.19	0.25	0.24	0.56	0.55	0.75	0.68

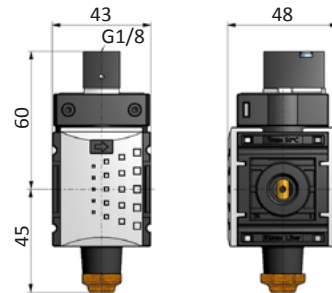
3/2-way inline valve VMY

Dimensions

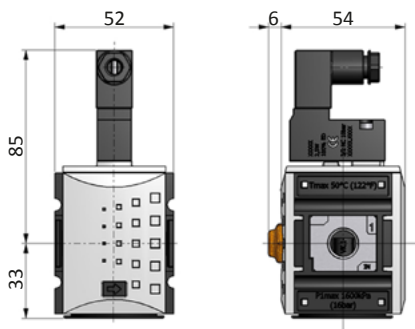
Size Y0, electrically operated



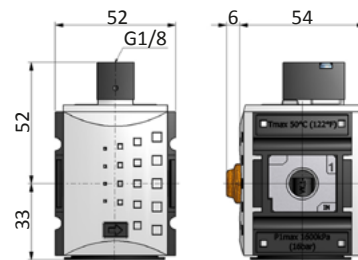
Size Y0, pneumatically operated



Size Y1, electrically operated



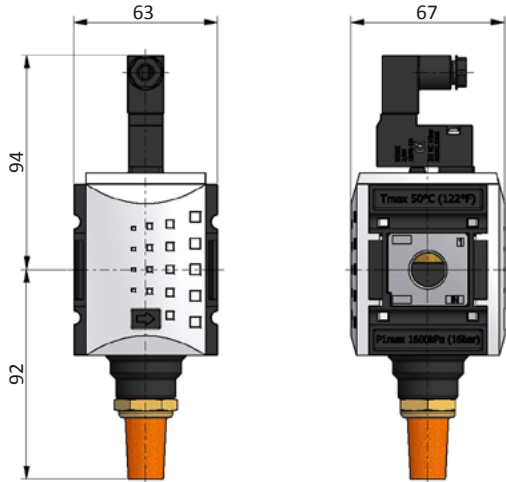
Size Y1, pneumatically operated



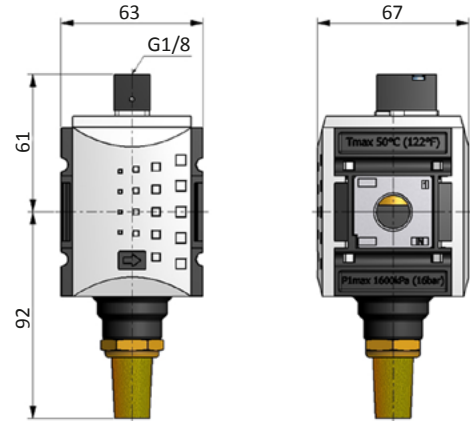
3/2-way inline valve VMY

Dimensions

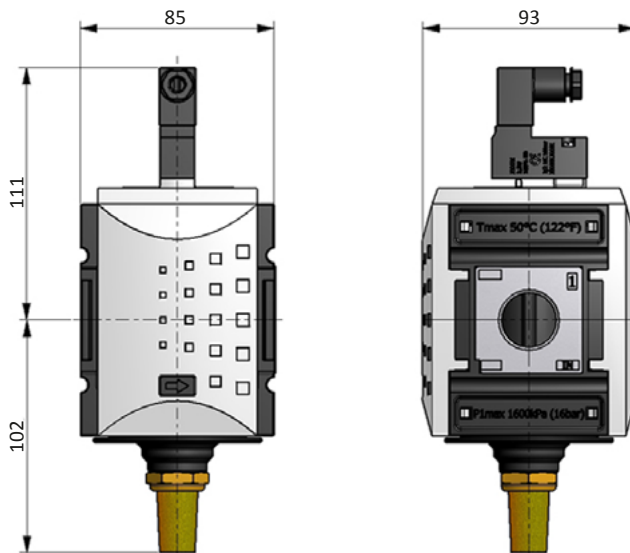
Size Y2, electrically operated



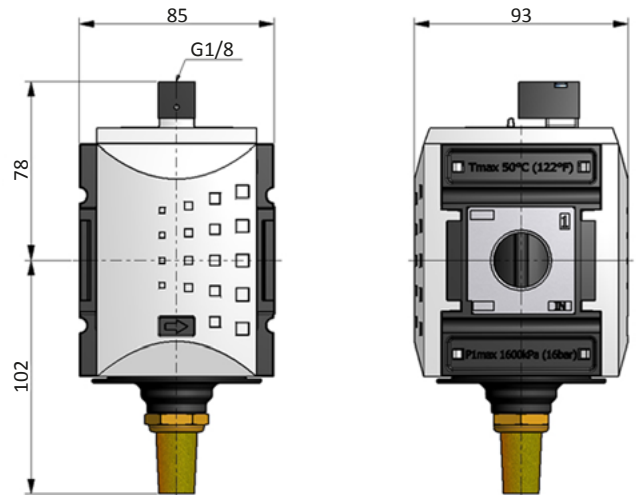
Size Y2, pneumatically operated



Size Y3, electrically operated



Size Y3, pneumatically operated



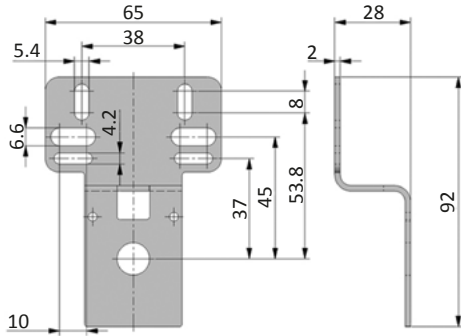
Fastening elements

Bracket kit WYP

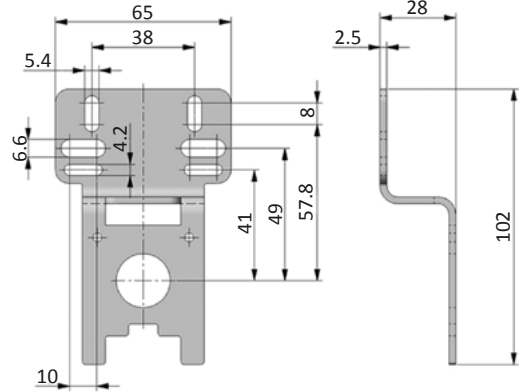
Bracket kit made of zinc coated steel.

The bracket can be mounted at the rear side after removing the rear cover of the unit. The 2 mounting screws are included.

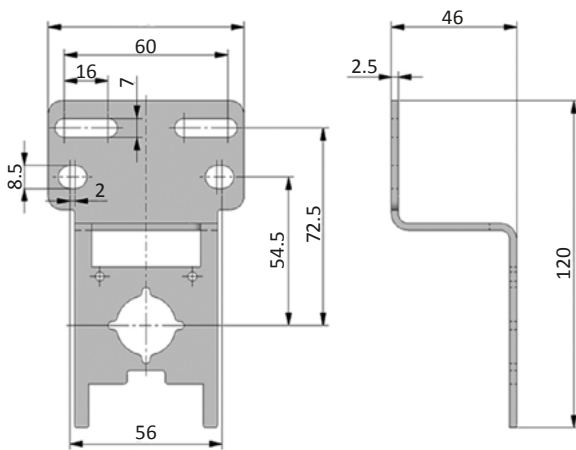
WYP-00



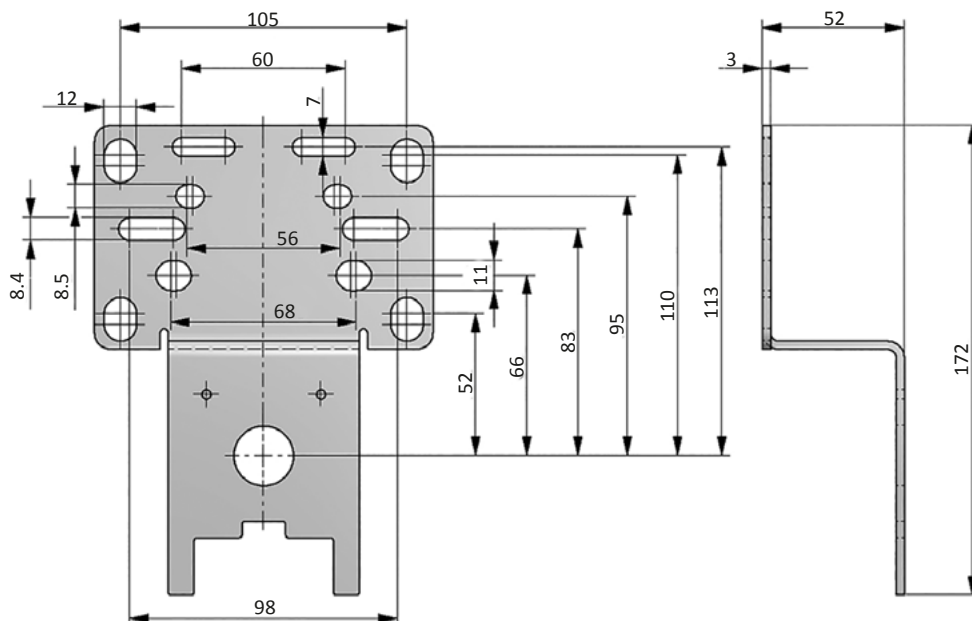
WYP-01



WYP-02



WYP-03



Coupling kits KPY

KPY-00, KPY-01



KPY-02

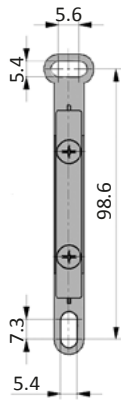
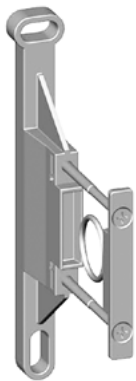


KPY-03

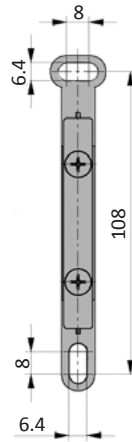
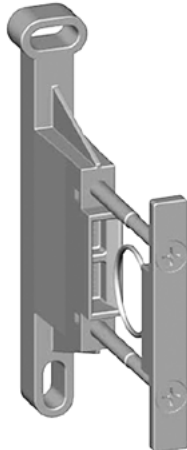


Coupling kits for wall mounting KPY-W

KPY-00-W, KPY-01-W



KPY-02-W



KPY-03-W

