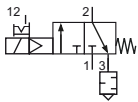


3/2-way inline valve VMX

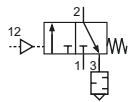
Technical details

Temperature range	0°C ... +60°C
Input range	electrically operated: 2 ... 10 bar pneumatically operated: max. 16 bar
Mounting	arbitrary
Medium	compressed air according to ISO 8573-1:2010, neutral gases
Materials	Body: zinc diecasting, seals: NBR, inner parts: zinc coated steel, stainless steel and brass
Schutzart	IP 65 according to EN 60529

3/2-way poppet valve, electrically or pneumatically operated.
Silencer is mounted in exhaust.
Plug socket is included.



electrically operated
3/2-way, single solenoid, mechanical
spring return, NC



pneumatically operated
3/2-way, single pilot, mechanical
spring return, NC



Order code

Series		Versions	
Connection / Size		Digit 4	Version
14	G1/4 / X1	A	24 V DC, 3 W
12	G1/2 / X2	D	115 V AC, 7.9 VA
		E	230 V AC, 7.9 VA
		F	pneumatically operated

VMX--00-0-000***

Technical data

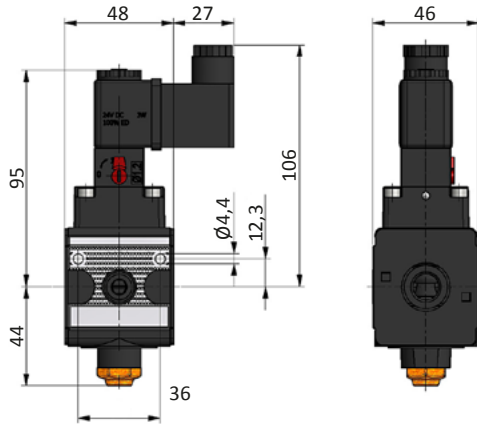
Model-no.:	VMX-14-...	VMX-12-...
Connection	G1/4	G1/2
Size	X1	X2
Flow (1-2 in NI/min)	900	4000
Weight(Version A-E) (kg)	0.46	1.04
Weight(Version F) (kg)	0.38	0.97

3/2-way inline valve VMX

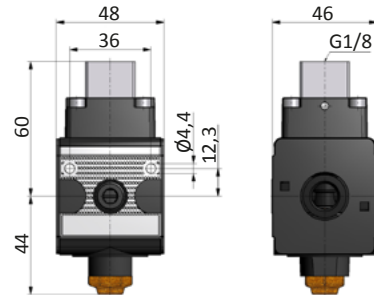


Dimensions

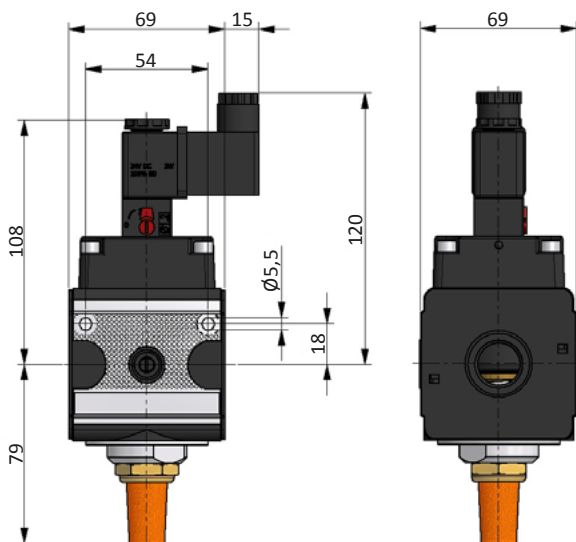
Size X1, electrically operated



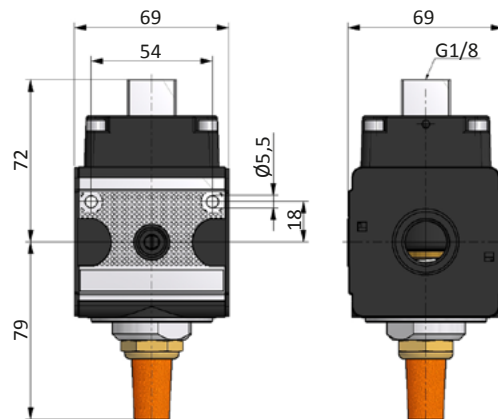
Size X1, pneumatically operated



Size X2, electrically operated

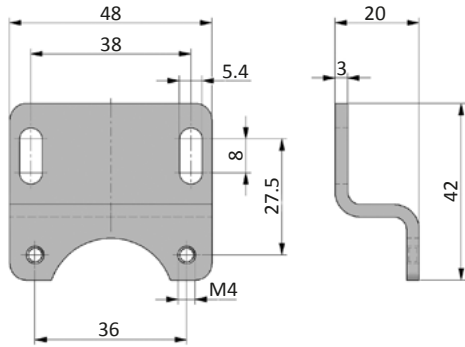
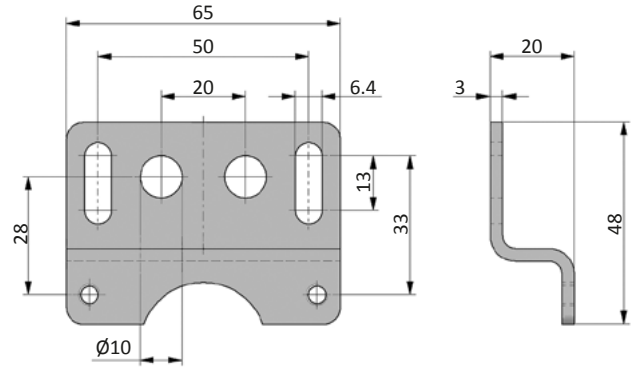
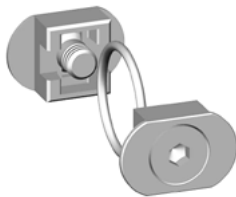


Size X2, pneumatically operated



Mounting brackets WX

Mounting brackets made of zinc coated steel.

WX-11

WX-33

Coupling kits KPX
KPX-11

KPX-33
