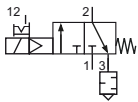


# 3/2-way inline valve VMK

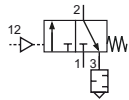
## Technical details

<b>Temperature range</b>	0°C ... +60°C
<b>Input range</b>	electrically operated: 2 ... 10 bar pneumatically operated: max. 16 bar
<b>Mounting</b>	arbitrary
<b>Medium</b>	compressed air according to ISO 8573-1:2010, neutral gases
<b>Materials</b>	Body: zinc diecasting, seals: NBR, inner parts: zinc coated steel, stainless steel and brass
<b>Schutzart</b>	IP 65 according to EN 60529

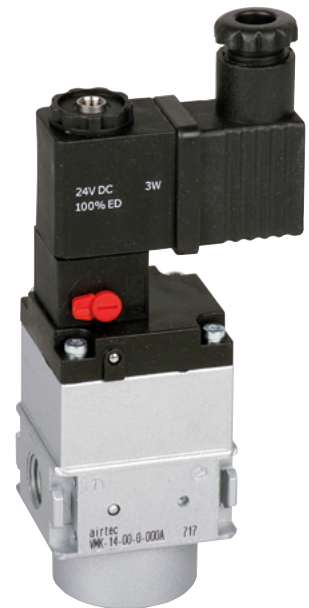
3/2-way poppet valve, electrically or pneumatically operated.  
Silencer is mounted in exhaust.  
Plug socket is included.



electrically operated  
3/2-way, single solenoid, mechanical  
spring return, NC



pneumatically operated  
3/2-way, single pilot, mechanical  
spring return, NC



## Order code

Series		VMK-**-00-0-000*		Versions	
Connection		Digit 4	Version		
14	G1/4	A	24 V DC, 3 W	D	115 V AC, 7.9 VA
		E	230 V AC, 7.9 VA	F	pneumatically operated

## Technical data

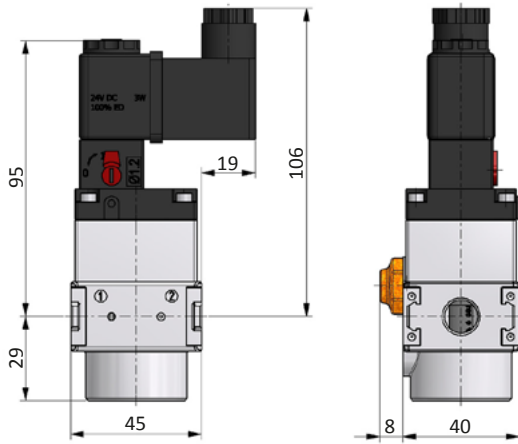
<b>Model-no.:</b>	VMK-14-...
<b>Connection</b>	G1/4
<b>Flow (1-2 in NI/min)</b>	1600
<b>Weight(Version A-E) (kg)</b>	0.46
<b>Weight(Version F) (kg)</b>	0.54

# 3/2-way inline valve VMK

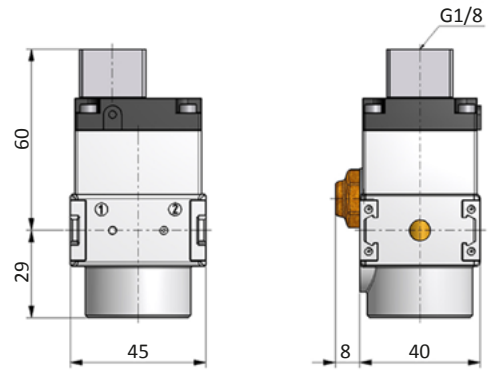


## Dimensions

### electrically operated

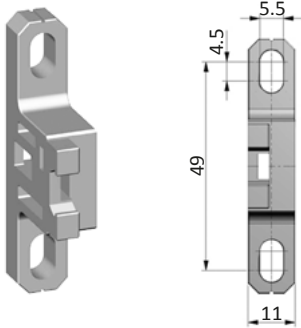


### pneumatically operated



**Mounting bracket WK-00**

Mounting bracket (set of two pieces) made of PA 66. Mounting only sidewise possible.

**WK-00****Coupling kit KPK****KPK-00**