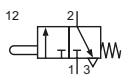


Technical details

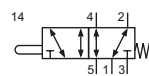
Connection	M5
Temperature range	-10°C ... +70°C
Medium	Filtered, oil-free and dried compressed air according to ISO 8573-1:2010, Class 7:2:4, instrument air, free of aggressive additives. Alternatively the pressure dew point must be at least 10°C below lowest occurring ambient temperature.
Materials	Body: Al (anodized), seals: NBR, inner parts: stainless steel and brass, stem: stainless steel
	Valves in accordance with 2014/34/EU (ATEX) available. (Chapter 13)



Mechanically operated seat valve (T-30-310) or spool valve (T-30-510) including mounting adapter for actuator mount.

3/2-way-Valves


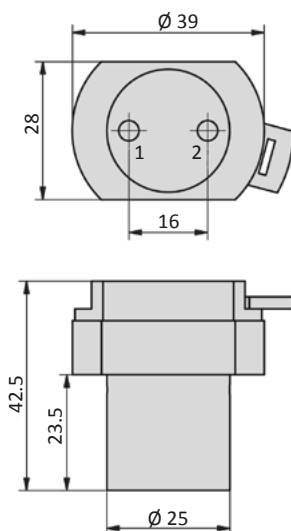
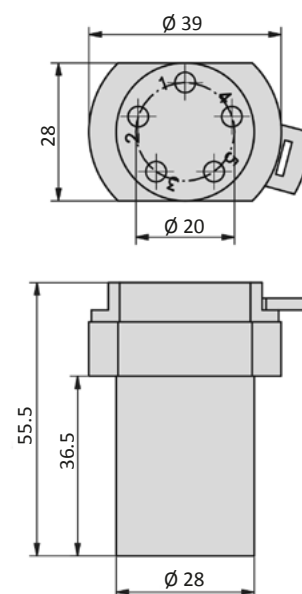
T-30-310
3/2-way, mechanical spring return, stem operated

5/2-way-Valves


T-30-510
5/2-way, mechanical spring return, stem operated

Technical data

Model-no.:	T-30-310	T-30-510
Operating pressure (bar)	0 ... 12 bar	0 ... 12 bar
Flow rate (NI/min)	80	100
Nominal size (mm)	2	2.4
Actuating force at 6 bar (N)	10	21
Actuation stroke (mm)	4	4
Weight (kg)	0.052	0.076

Dimensions
T-30-310

T-30-510


- 1 = pressure inlet
- 2,4 = outlets
- 3,5 = exhausts