

# Precision pressure regulator RYP

## Technical details

|                          |   |
|--------------------------|---|
| <b>Temperature range</b> | 0°C ... +50°C   |
| <b>Input range</b>       | max. 16 bar   |
| <b>Mounting</b>          | arbitrary   |
| <b>Medium</b>            | compressed air according to ISO 8573-1:2010, neutral gases  |
| <b>Materials</b>         | Body: Grivory (PA66) and POM, seals: NBR, inner parts: zinc coated steel, stainless steel and brass |

Precision pressure regulator with diaphragm and relieving feature.  
 Locking: rotary lock and padlock possible.



## Order code

| RYP-***-**-0-00*1 |          | Series | Connection / Size | Output range | Versions |
|-------------------|----------|--------|-------------------|--------------|----------|
| Digit 1           | Digit 2  | 14     | G1/4 / Y1         | 01           | 0        |
| Digit 3           | Digit 4  | 37     | G3/8 / Y1         | 02           | 1        |
| Digit 5           | Digit 6  | 38     | G3/8 / Y2         | 04           | 2        |
| Digit 7           | Digit 8  | 12     | G1/2 / Y2         | 08           | 3        |
| Digit 9           | Digit 10 |        |                   | 10           |          |
| Digit 11          | Digit 12 |        |                   | 16           |          |

| Digit 3 | Gauge, flow direction                             |
|---------|---|
| 0       | without gauge, flow from left to right (standard) |
| 1       | without gauge, flow from right to left            |
| 2       | with gauge, flow from left to right               |
| 3       | with gauge, flow from right to left               |

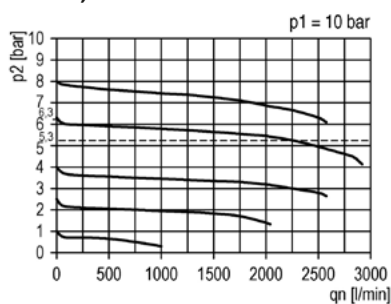
# Precision pressure regulator RYP

## Technical data

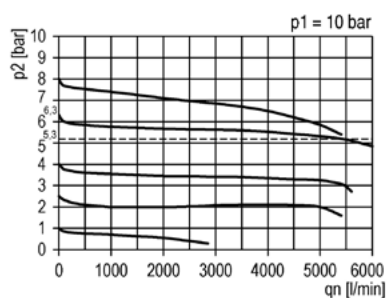
| Model-no.:               | RYP-14-...     | RYP-37-...     | RYP-38-...     | RYP-12-...     |
|--------------------------|----------------|----------------|----------------|----------------|
| Connection               | G1/4           | G3/8           | G3/8           | G1/2           |
| Size                     | Y1             | Y1             | Y2             | Y2             |
| Flow (NI/min)            | 2200           | 2200           | 5000           | 5000           |
| Internal air consumption | max. 2.6 l/min | max. 2.6 l/min | max. 2.6 l/min | max. 2.6 l/min |
| Weight (kg)              | 0.30           | 0.29           | 0.51           | 0.49           |

## Flow characteristic

RYP-14, RYP-37

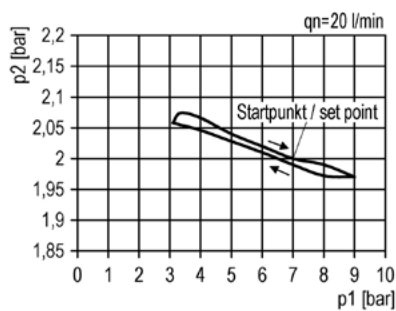


RYP-38, RYP-12

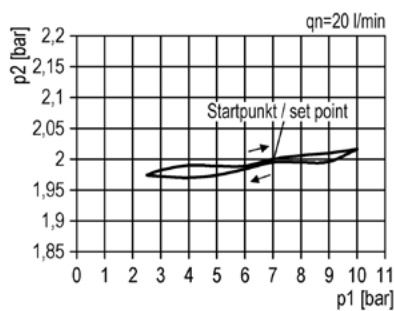


## Hysterese

RYP-14, RYP-37



RYP-38, RYP-12

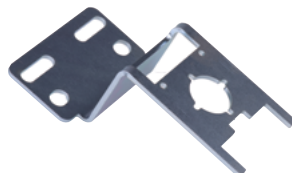


## Accessories

Mounting brackets WYL



Mounting brackets WYP



Coupling kits for wall mounting KPY-W



Coupling kits KPY-K



Mounting nut RMY

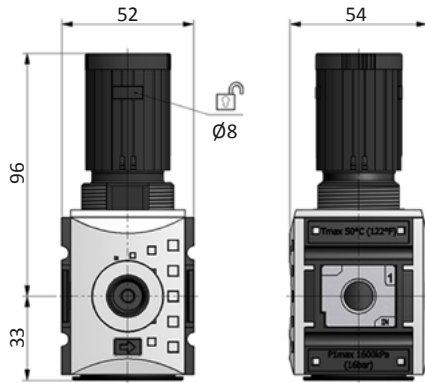


Details: see page 04

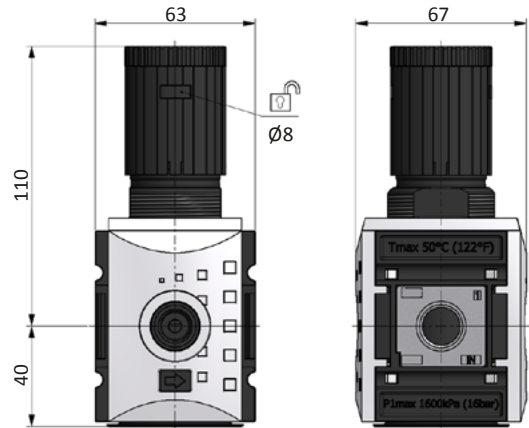
# Precision pressure regulator RYP

## Dimensions

### Size Y1



### Size Y2



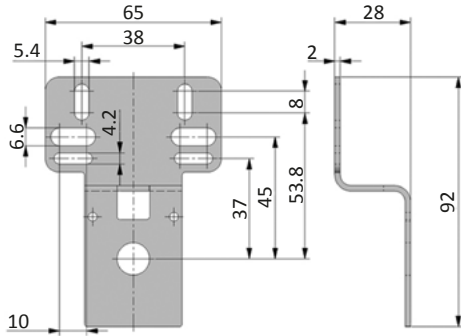
# Fastening elements

## Bracket kit WYP

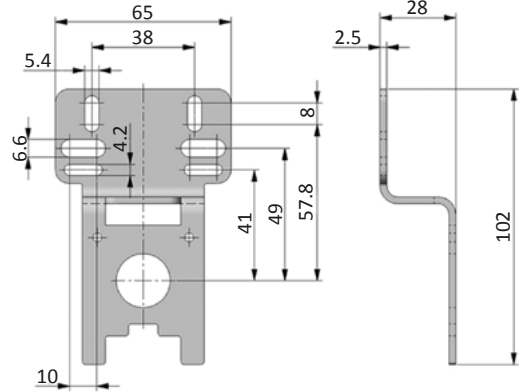
Bracket kit made of zinc coated steel.

The bracket can be mounted at the rear side after removing the rear cover of the unit. The 2 mounting screws are included.

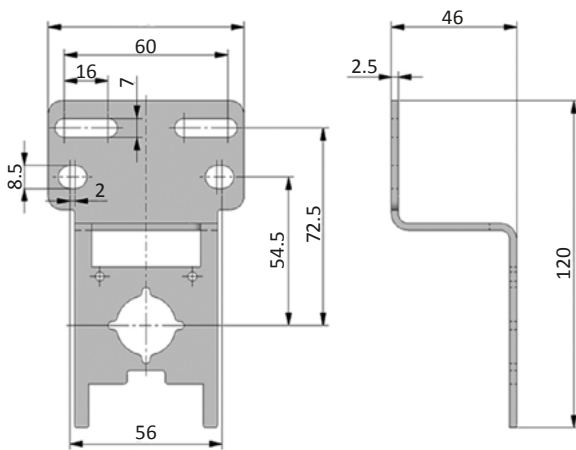
### WYP-00



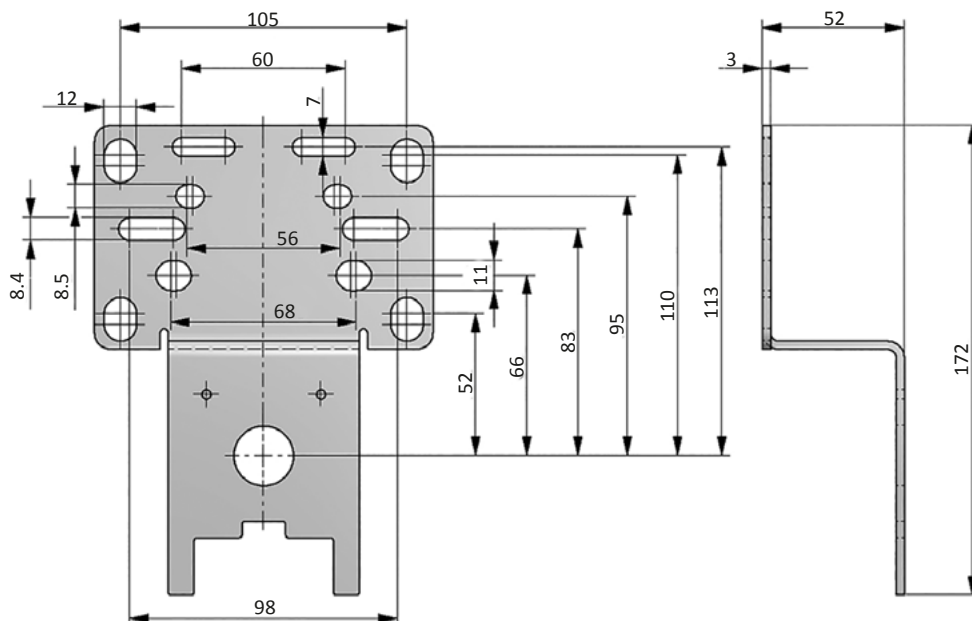
### WYP-01



### WYP-02

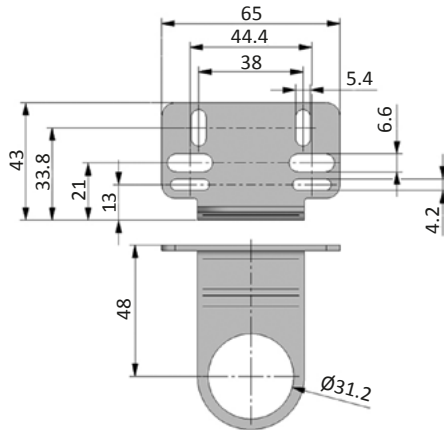
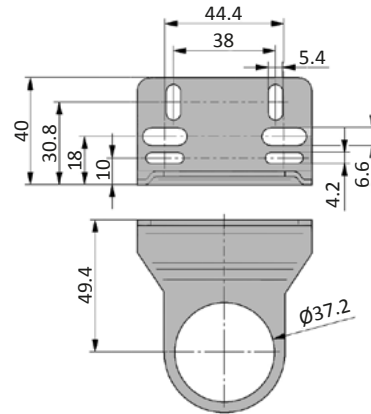
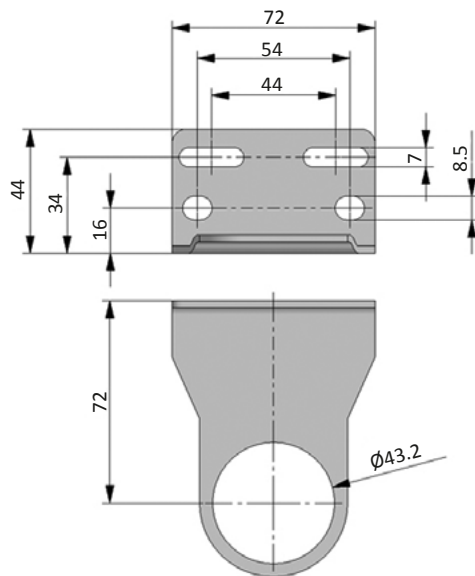


### WYP-03



**Mounting brackets WYL**

Mounting brackets made of zinc coated steel. Assembling with mounting nut (not included).

**WYL-00**

**WYL-01**

**WYL-02**


# Coupling kits

## Coupling kits KPY

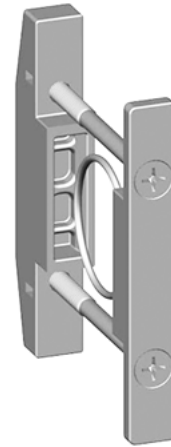
KPY-00, KPY-01



KPY-02

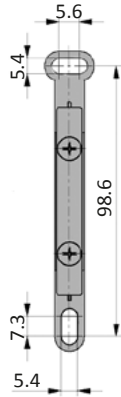
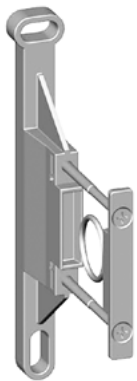


KPY-03

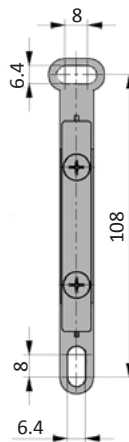
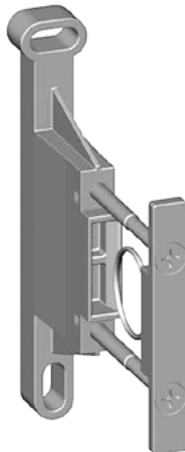


## Coupling kits for wall mounting KPY-W

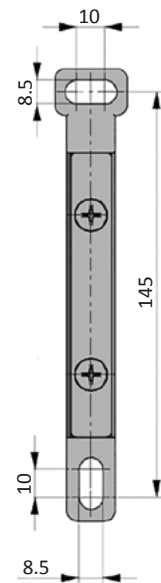
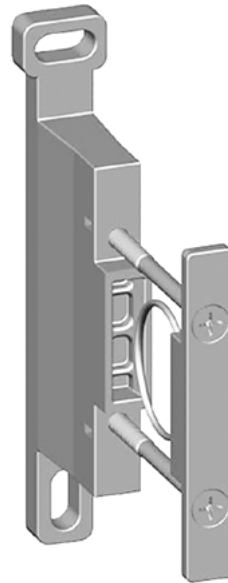
KPY-00-W, KPY-01-W



KPY-02-W



KPY-03-W



## Technical details

|                          |  |
|--------------------------|--|
| <b>Temperature range</b> | -20°C ... +60°C  |
| <b>Accuracy class</b>    | 2.5 according to EN 837-1  |
| <b>Application</b>       | Constant load: 3/4 x scale value<br>Alternating load: 2/3 x scale value  |
| <b>Materials</b>         | Body: ABS, black<br>Window: plastic, clear, clipped-on<br>Dial: plastic, white with stop pin<br>Scale black (psi) and blue (bar) |
| <b>Temperature drift</b> | ± 0.4% / 10 K if deviation from normal temperature (+ 20°C)  |



Bourdon tube pressure gauge (EN 837-1), pressure connection rear.



## Order code

| Series         |              | Connection |      |
|----------------|--------------|------------|------|
| MXA-**-***-*** |              | 18         | G1/8 |
|                |              | 14         | G1/4 |
| Diameter       |              |            |      |
| 40             | 40 mm        |            |      |
| 50             | 50 mm        |            |      |
| 63             | 63 mm        |            |      |
| Range          |              |            |      |
| 06             | 0 ... 6 bar  |            |      |
| 10             | 0 ... 10 bar |            |      |
| 16             | 0 ... 16 bar |            |      |

## Technical data

| Model-no.:                 | MXA-50-06-14 |  | MXA-50-10-14 |  | MXA-50-16-14   |  |
|----------------------------|--------------|--|--------------|--|----------------|--|
| <b>Connection</b>          | G1/4         |  | G1/4         |  | G1/4           |  |
| <b>Standard for series</b> | -            |  | -            |  | X1. X2. Y1. Y2 |  |
| <b>Range</b>               | 0 ... 6 bar  |  | 0 ... 10 bar |  | 0 ... 16 bar   |  |
| <b>Weight (kg)</b>         | 0.071        |  | 0.071        |  | 0.071          |  |

| Model-no.:                 | MXA-40-06-18 | MXA-40-10-18 | MXA-40-16-18 | MXA-63-06-14 | MXA-63-10-14 | MXA-63-16-14 |
|----------------------------|--------------|--------------|--------------|--------------|--------------|--------------|
| <b>Connection</b>          | G1/8         | G1/8         | G1/8         | G1/4         | G1/4         | G1/4         |
| <b>Standard for series</b> | -            | -            | K. RD        | -            | -            | Y3           |
| <b>Range</b>               | 0 ... 6 bar  | 0 ... 10 bar | 0 ... 16 bar | 0 ... 6 bar  | 0 ... 10 bar | 0 ... 16 bar |
| <b>Weight (kg)</b>         | 0.071        | 0.071        | 0.071        | 0.080        | 0.080        | 0.080        |