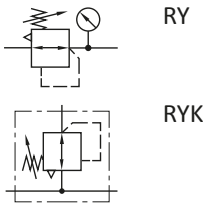


**Technical details**

<b>Temperature range</b>	0°C ... +50°C
<b>Input range</b>	max. 16 bar ( size Y0 max. 12 bar )
<b>Mounting</b>	arbitrary
<b>Medium</b>	compressed air according to ISO 8573-1:2010, neutral gases
<b>Materials</b>	Body: Grivory (PA66) and POM, seals: NBR, inner parts: zinc coated steel, stainless steel and brass

Pressure regulator with diaphragm and relieving feature.  
Locking: rotary lock and padlock possible.


**Order code**

RY-**-**-0-00*1	
<b>Series</b>	<b>Versions</b>
RY standard	<b>Digit 3 Gauge, flow direction</b>
RYK with continuous pressure supply	0 without gauge, flow from left to right
<b>Connection / Size</b>	1 without gauge, flow from right to left
04 * G1/4 / Y0	2 <b>with gauge, flow from left to right (standard)</b>
14 G1/4 / Y1	3 with gauge, flow from right to left
37 G3/8 / Y1	
38 G3/8 / Y2	
12 G1/2 / Y2	
34 G3/4 / Y3	
10 G1 / Y3	
<b>Output range</b>	
04 0.2 ... 4 bar	
08 0.5 ... 8 bar	
10 <b>0.5 ... 10 bar (standard)</b>	

\* RY-04 only with integrated gauge and flow from left to right available.

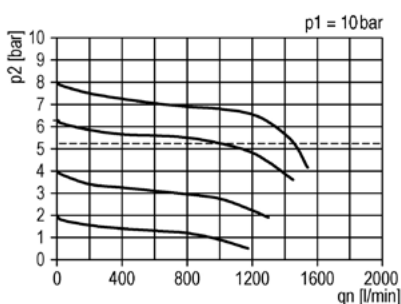
# Pressure regulator RY

## Technical data

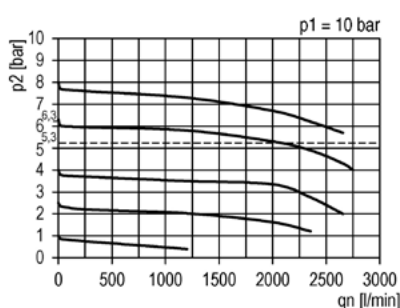
Model-no.:	RY-04-...	RY-14-...	RY-37-...	RY-38-...	RY-12-...	RY-34-...	RY-10-...
Connection	G1/4	G1/4	G3/8	G3/8	G1/2	G3/4	G1
Size	Y0	Y1	Y1	Y2	Y2	Y3	Y3
Flow (NI/min)	1000	2200	2600	4300	5100	14000	14000
Internal air consumption	-	-	-	-	-	max. 1.5 l/min	max. 1.5 l/min
Weight (kg)	0.17	0.30	0.29	0.52	0.50	1.02	0.95

## Flow characteristic

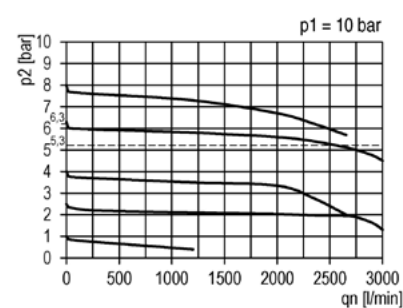
RY-04



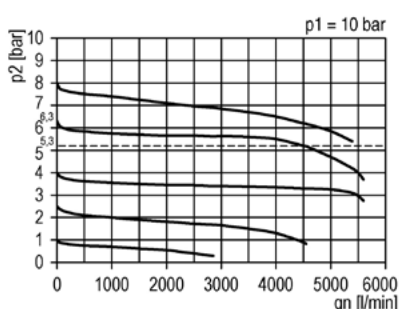
RY-14



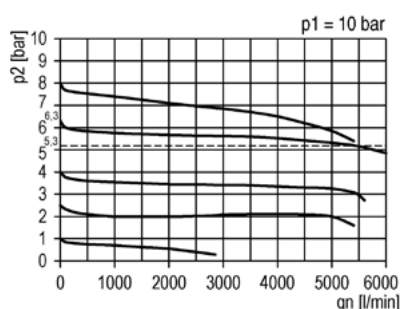
RY-37



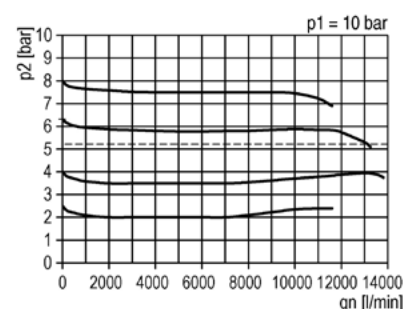
RY-38



RY-12



RY-34, RY-10

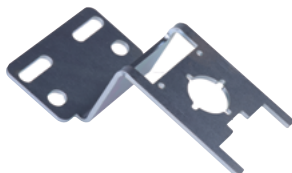


## Accessories

Mounting brackets WYL



Mounting brackets WYP



Coupling kits for wall mounting KPY-W



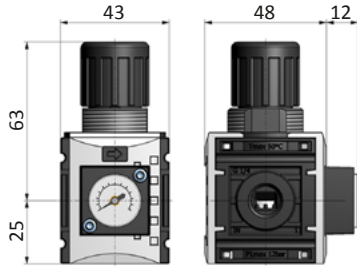
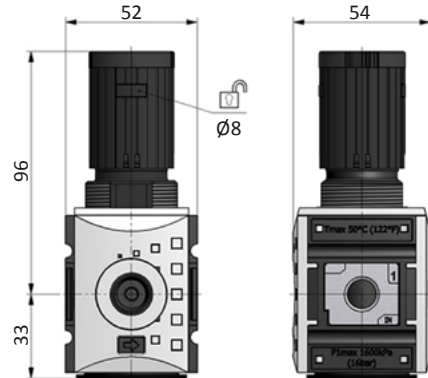
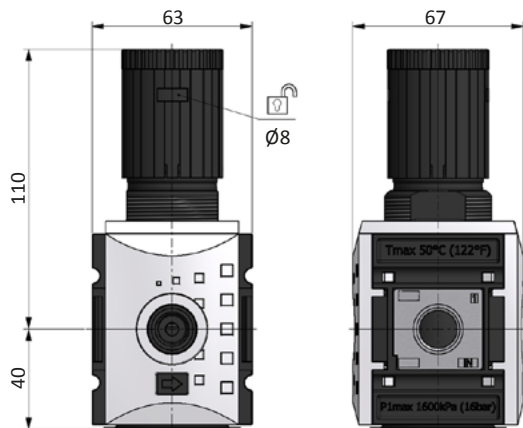
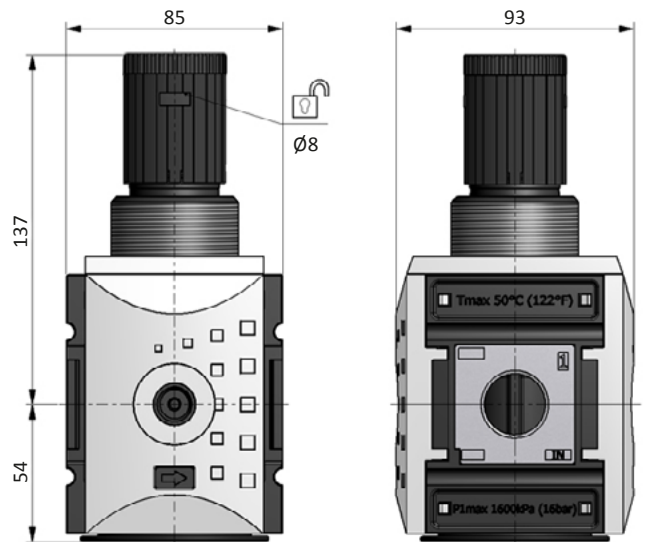
Coupling kits KPY-K



Mounting nut RMY



Details: see page 04

**Dimensions**
**Size Y0**

**Size Y1**

**Size Y2**

**Size Y3**


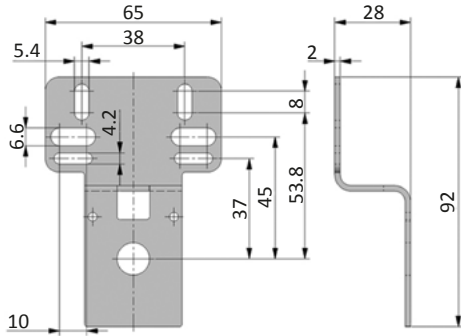
# Fastening elements

## Bracket kit WYP

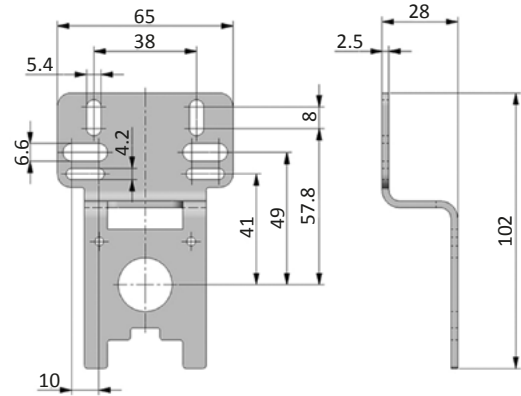
Bracket kit made of zinc coated steel.

The bracket can be mounted at the rear side after removing the rear cover of the unit. The 2 mounting screws are included.

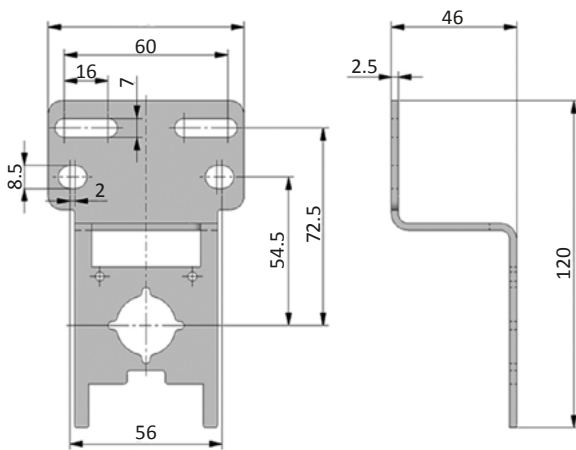
### WYP-00



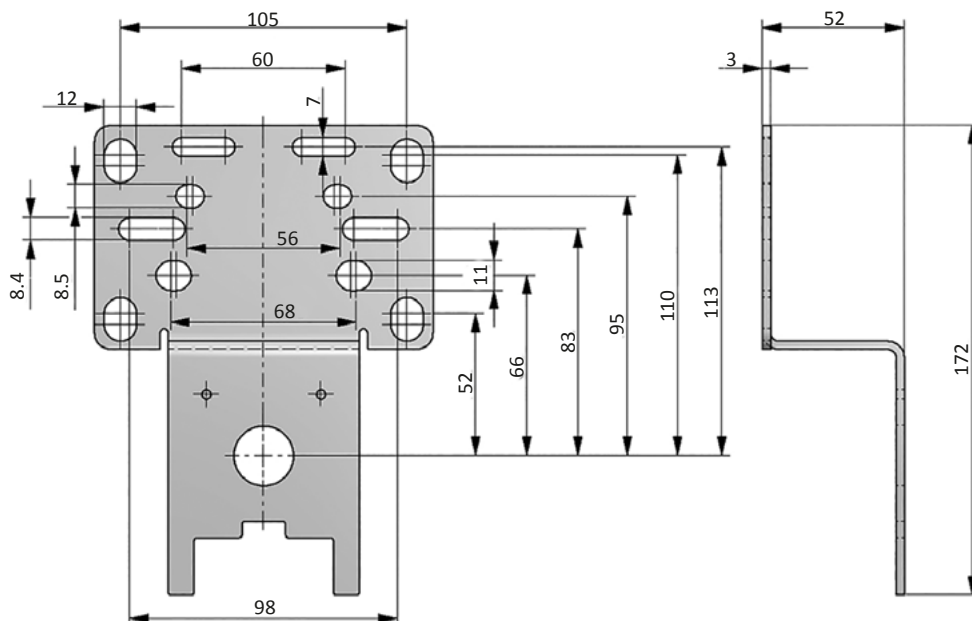
### WYP-01



### WYP-02

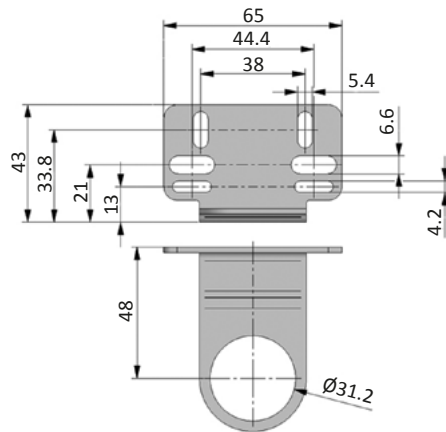
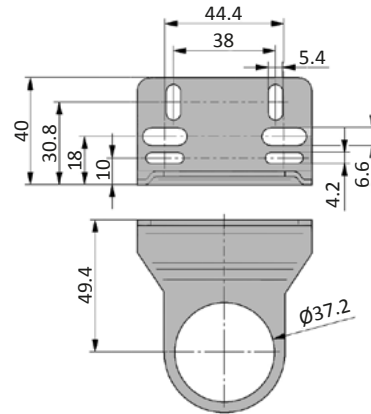
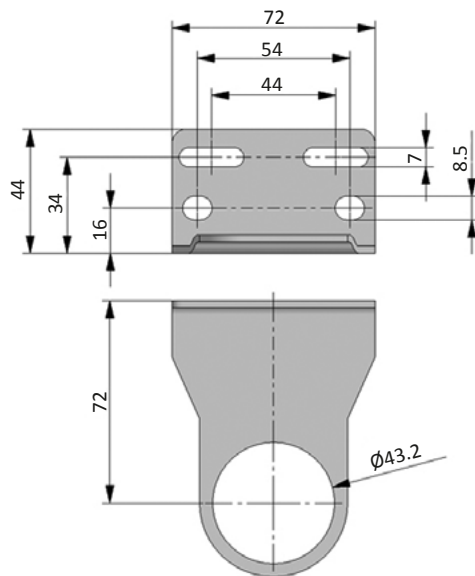


### WYP-03



**Mounting brackets WYL**

Mounting brackets made of zinc coated steel. Assembling with mounting nut (not included).

**WYL-00**

**WYL-01**

**WYL-02**


# Coupling kits

## Coupling kits KPY

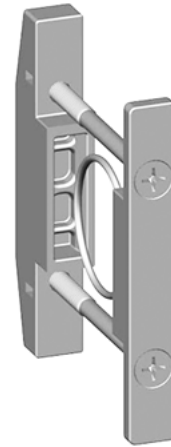
KPY-00, KPY-01



KPY-02

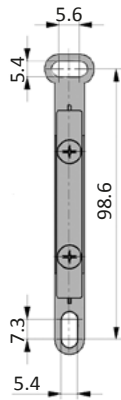
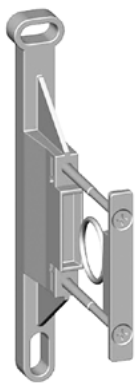


KPY-03

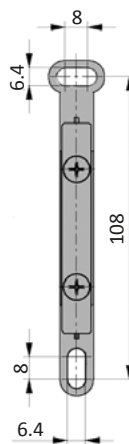
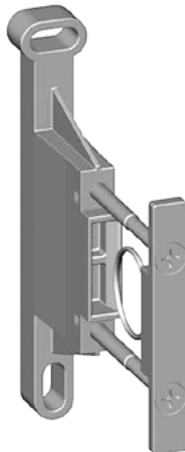


## Coupling kits for wall mounting KPY-W

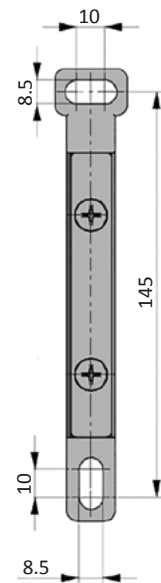
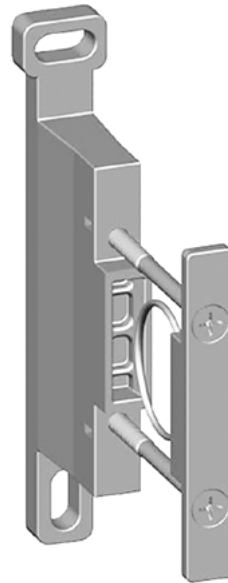
KPY-00-W, KPY-01-W



KPY-02-W



KPY-03-W



## Technical details

<b>Temperature range</b>	-20°C ... +60°C
<b>Accuracy class</b>	2.5 according to EN 837-1
<b>Application</b>	Constant load: 3/4 x scale value Alternating load: 2/3 x scale value
<b>Materials</b>	Body: ABS, black Window: plastic, clear, clipped-on Dial: plastic, white with stop pin Scale black (psi) and blue (bar)
<b>Temperature drift</b>	± 0.4% / 10 K if deviation from normal temperature (+ 20°C)



Bourdon tube pressure gauge (EN 837-1), pressure connection rear.



## Order code

Series		Connection	
MXA-**-***-***		18	G1/8
		14	G1/4
Diameter			
40	40 mm		
50	50 mm		
63	63 mm		
Range			
06	0 ... 6 bar		
10	0 ... 10 bar		
16	0 ... 16 bar		

## Technical data

Model-no.:	MXA-50-06-14		MXA-50-10-14		MXA-50-16-14	
<b>Connection</b>	G1/4		G1/4		G1/4	
<b>Standard for series</b>	-		-		X1. X2. Y1. Y2	
<b>Range</b>	0 ... 6 bar		0 ... 10 bar		0 ... 16 bar	
<b>Weight (kg)</b>	0.071		0.071		0.071	
Model-no.:	MXA-40-06-18	MXA-40-10-18	MXA-40-16-18	MXA-63-06-14	MXA-63-10-14	MXA-63-16-14
<b>Connection</b>	G1/8	G1/8	G1/8	G1/4	G1/4	G1/4
<b>Standard for series</b>	-	-	K. RD	-	-	Y3
<b>Range</b>	0 ... 6 bar	0 ... 10 bar	0 ... 16 bar	0 ... 6 bar	0 ... 10 bar	0 ... 16 bar
<b>Weight (kg)</b>	0.071	0.071	0.071	0.080	0.080	0.080