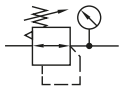


## Technical details

<b>Temperature range</b>	0°C ... +60°C
<b>Input range</b>	max. 16 bar
<b>Mounting</b>	arbitrary
<b>Medium</b>	compressed air according to ISO 8573-1:2010, neutral gases
<b>Materials</b>	Body: zinc diecasting, seals: NBR, inner parts: zinc coated steel, stainless steel and brass

Pressure regulator with diaphragm and relieving feature.  
Locking: rotary lock possible.



## Order code

Series		Versions	
<b>RX-***-**-0-00**</b>		<b>Digit 3</b>	<b>Gauge, flow direction</b>
←		0	without gauge, flow from left to right
←		1	without gauge, flow from right to left
←		2	<b>with gauge, flow from left to right (standard)</b>
←		3	with gauge, flow from right to left
<b>Output range</b>		<b>Digit 4</b>	
03	0.2 ... 3 bar	1	standard
06	0.5 ... 6 bar	2	key lockable
10	<b>0.5 ... 10 bar (standard)</b>		

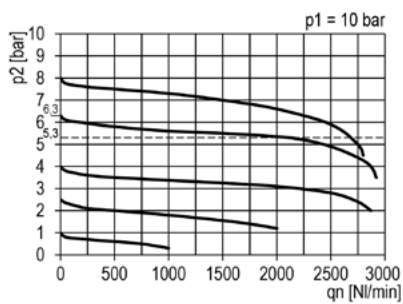
# Pressure regulator RX

## Technical data

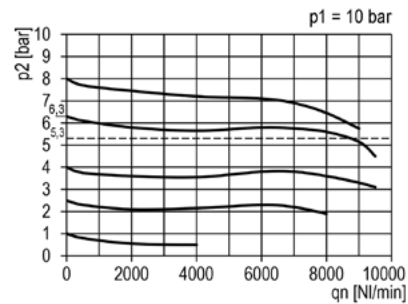
Model-no.:	RX-14-...	RX-37-...	RX-12-...	RX-34-...
Connection	G1/4	G3/8	G1/2	G3/4
Size	X1	X1	X2	X2
Flow (NI/min)	2000	2000	8800	8800
Weight (kg)	0.32	0.31	0.80	0.77

## Flow characteristic

RX-14, RX-37



RX-12, RX-34



## Accessories

Mounting brackets WK



Mounting brackets WX



Coupling kits KPX



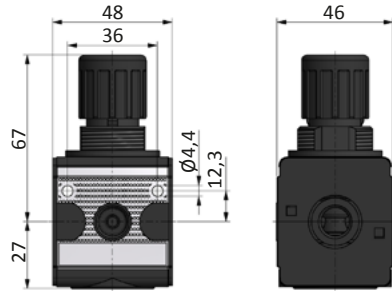
Mounting nut RM



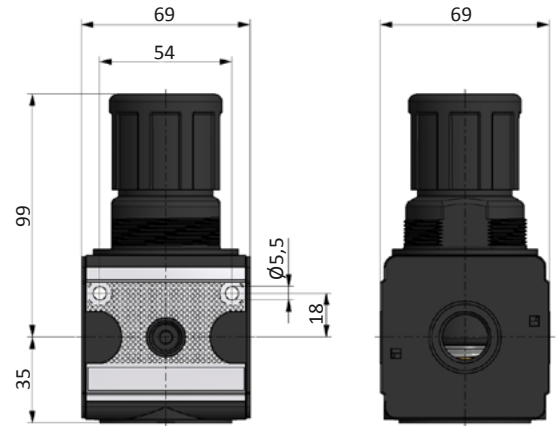
Details: see page 04

## Dimensions

### Size X1



### Size X2

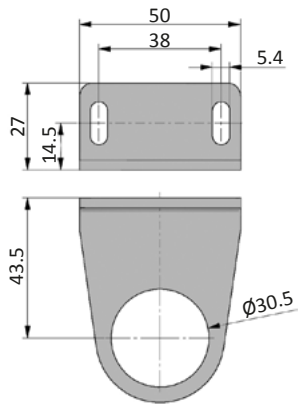


## Fastening elements

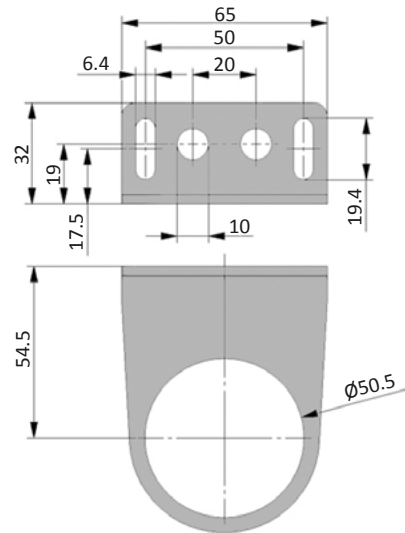
### Mounting brackets WK

Mounting brackets made of zinc coated steel. Assembling with mounting nut (not included).

#### WK-30



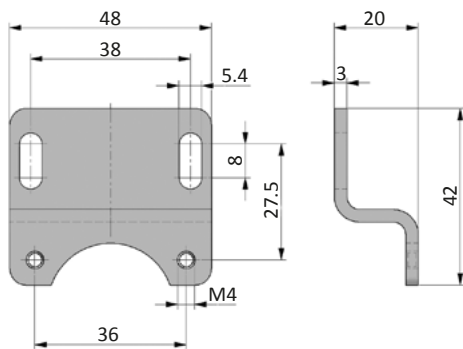
#### WK-50



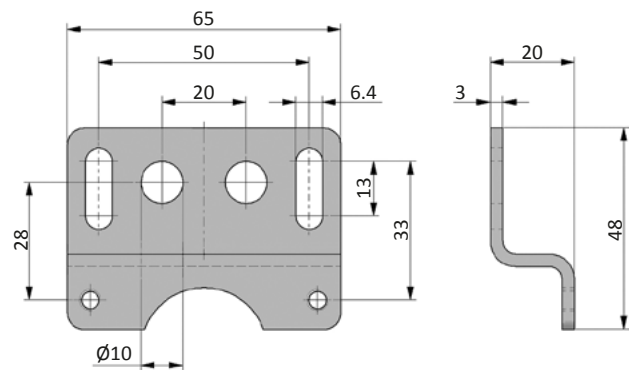
### Mounting brackets WX

Mounting brackets made of zinc coated steel.

#### WX-11

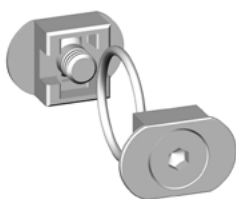


#### WX-33

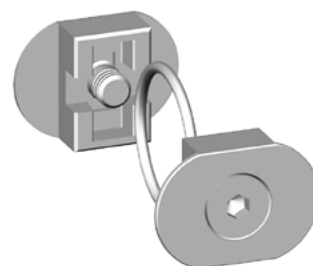


### Coupling kits KPX

#### KPX-11



#### KPX-33



## Technical details

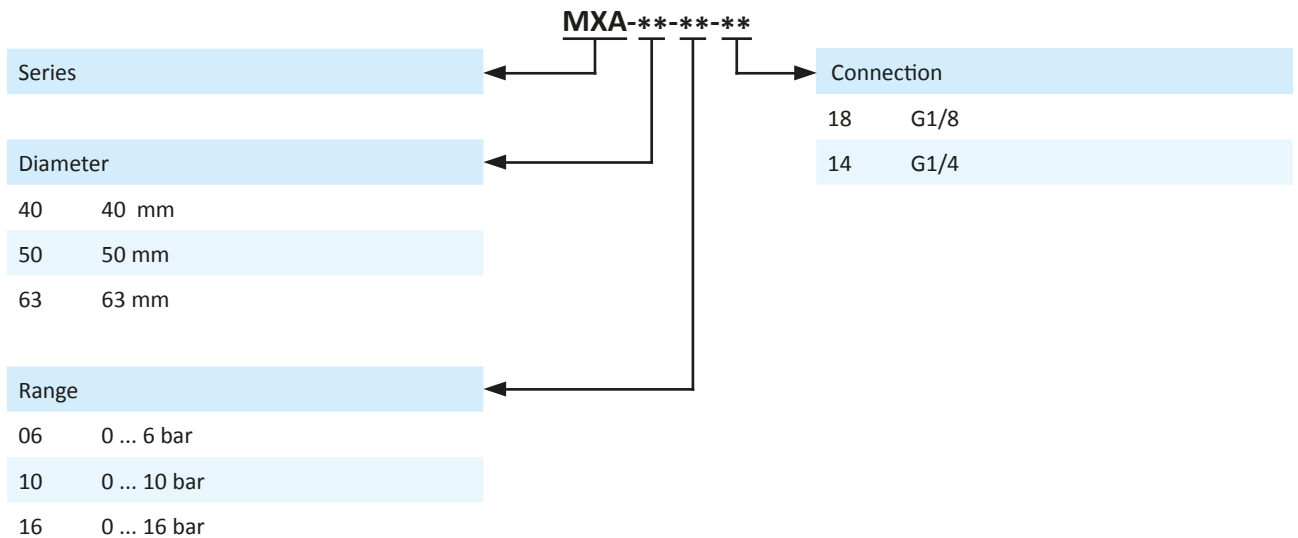
<b>Temperature range</b>	-20°C ... +60°C
<b>Accuracy class</b>	2.5 according to EN 837-1
<b>Application</b>	Constant load: 3/4 x scale value Alternating load: 2/3 x scale value
<b>Materials</b>	Body: ABS, black Window: plastic, clear, clipped-on Dial: plastic, white with stop pin Scale black (psi) and blue (bar)
<b>Temperature drift</b>	± 0.4% / 10 K if deviation from normal temperature (+ 20°C)



Bourdon tube pressure gauge (EN 837-1), pressure connection rear.



## Order code



## Technical data

Model-no.:	MXA-50-06-14		MXA-50-10-14		MXA-50-16-14	
<b>Connection</b>	G1/4		G1/4		G1/4	
<b>Standard for series</b>	-		-		X1. X2. Y1. Y2	
<b>Range</b>	0 ... 6 bar		0 ... 10 bar		0 ... 16 bar	
<b>Weight (kg)</b>	0.071		0.071		0.071	

Model-no.:	MXA-40-06-18	MXA-40-10-18	MXA-40-16-18	MXA-63-06-14	MXA-63-10-14	MXA-63-16-14
<b>Connection</b>	G1/8	G1/8	G1/8	G1/4	G1/4	G1/4
<b>Standard for series</b>	-	-	K. RD	-	-	Y3
<b>Range</b>	0 ... 6 bar	0 ... 10 bar	0 ... 16 bar	0 ... 6 bar	0 ... 10 bar	0 ... 16 bar
<b>Weight (kg)</b>	0.071	0.071	0.071	0.080	0.080	0.080