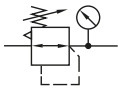


Pressure regulator RK

Technical details

Temperature range	0°C ... +60°C
Input range	max. 16 bar
Mounting	arbitrary
Medium	compressed air according to ISO 8573-1:2010, neutral gases
Materials	Body: zinc diecasting, seals: NBR, inner parts: zinc coated steel, stainless steel and brass

Pressure regulator with diaphragm and relieving feature.
Locking: rotary lock possible.



Order code

Series		Versions	
Connection		Digit 3	Gauge, flow direction
18	G1/8	0	without gauge, flow from left to right
14	G1/4	1	without gauge, flow from right to left
Output range		2	with gauge, flow from left to right (standard)
03	0.1 ... 3 bar	3	with gauge, flow from right to left
06	0.2 ... 6 bar	Digit 4	
10	0.5 ... 10 bar (standard)	1	standard
		2	key lockable

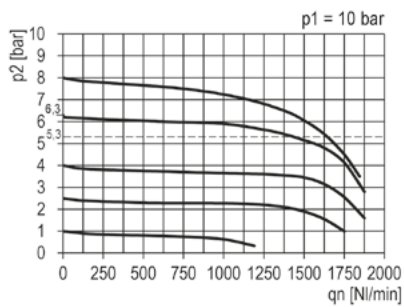
Pressure regulator RK

Technical data

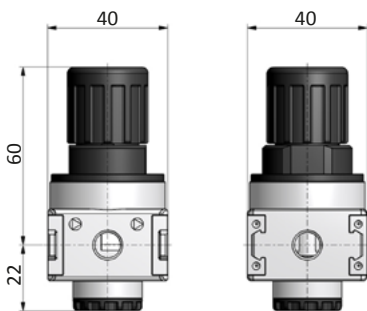
Model-no.:	RK-18-...	RK-14-...
Connection	G1/8	G1/4
Flow (NI/min)	1450	1450
Weight (kg)	0.26	0.25

Flow characteristic

RK-18, RK-14



Dimensions



Accessories

Mounting brackets WK



Mounting brackets WK



Coupling kits KPX



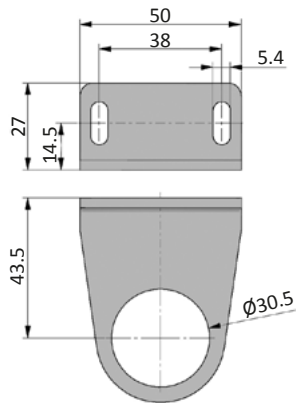
Mounting nut RM



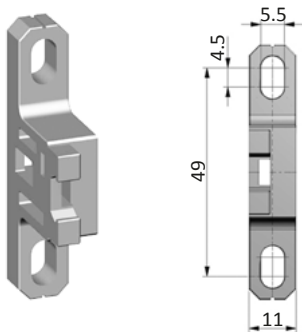
Details: see page 03

Mounting bracket WK

Mounting bracket made of zinc coated steel. Assembling with mounting nut (not included).

WK-30

Mounting bracket WK-00

Mounting bracket (set of two pieces) made of PA 66. Mounting only sidewise possible.

WK-00

Coupling kit KPK
KPK-00


Gauge MXA

Technical details

Temperature range	-20°C ... +60°C
Accuracy class	2.5 according to EN 837-1
Application	Constant load: 3/4 x scale value Alternating load: 2/3 x scale value
Materials	Body: ABS, black Window: plastic, clear, clipped-on Dial: plastic, white with stop pin Scale black (psi) and blue (bar)
Temperature drift	± 0.4% / 10 K if deviation from normal temperature (+ 20°C)



Bourdon tube pressure gauge (EN 837-1), pressure connection rear.



Order code

Series		Connection	
40	40 mm	18	G1/8
50	50 mm	14	G1/4
63	63 mm		
Range			
06	0 ... 6 bar		
10	0 ... 10 bar		
16	0 ... 16 bar		

MXA-*-***-*****

Technical data

Model-no.:	MXA-50-06-14		MXA-50-10-14		MXA-50-16-14	
Connection	G1/4		G1/4		G1/4	
Standard for series	-		-		X1. X2. Y1. Y2	
Range	0 ... 6 bar		0 ... 10 bar		0 ... 16 bar	
Weight (kg)	0.071		0.071		0.071	

Model-no.:	MXA-40-06-18	MXA-40-10-18	MXA-40-16-18	MXA-63-06-14	MXA-63-10-14	MXA-63-16-14
Connection	G1/8	G1/8	G1/8	G1/4	G1/4	G1/4
Standard for series	-	-	K. RD	-	-	Y3
Range	0 ... 6 bar	0 ... 10 bar	0 ... 16 bar	0 ... 6 bar	0 ... 10 bar	0 ... 16 bar
Weight (kg)	0.071	0.071	0.071	0.080	0.080	0.080