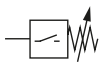


Technical details

Temperature range	-10°C ... +80°C
Medium	Filtered, oil-free and dried compressed air according to ISO 8573-1:2010, Class 7:2:4, instrument air, free of aggressive additives. Alternatively the pressure dew point must be at least 10°C below lowest occurring ambient temperature.
Materials	Body: Zinc coated steel, seals: NBR (PE-14), FKM (PE-18)



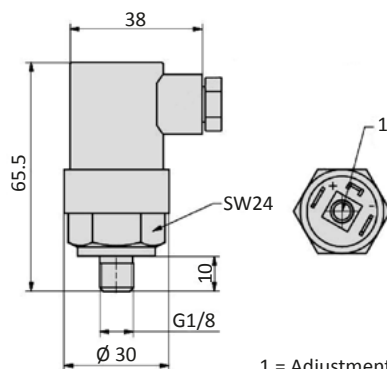
Adjustable diaphragm pressure switch. The pressure switch is pre-adjusted at 4 bar and is adjustable within the pressure range. The protective cup (PE-18) and plug connector (PE-14) are included.

Pressure switch


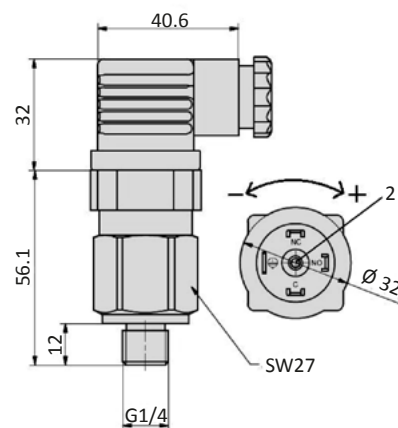
PE
pressure switch

Technical data

Model-no.:	PE-18-01-40		PE-14-01-40	
	Connection	G1/8		G1/4
Pressure range (bar)	1 ... 10		1 ... 5	
Default setting (bar)	4		4	
Overpressure safety (bar)	300		300	
Repeatability (bar at 20°C)	± 0.5		± 0.3	
Contact function	NO		Change-over contact	
Max. operating voltage	30 V DC	250 V AC	30 V DC	250 V AC
Max. current	1 A	0.5 A	3 A	1 A
Protection	IP 65 according to EN 60529		IP 65 according to EN 60529	
Weight (kg)	0.070		0.140	

Dimensions
PE-18-01-40


1 = Adjustment of pressure range
(with screwdriver)

PE-14-01-40


2 = Adjustment of pressure range
(with hex key)