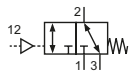


Technical details

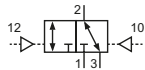
Connection	G1/4
Nominal size	9 mm
Temperature range	-10°C ... +70°C
Medium	Filtered, oil-free and dried compressed air according to ISO 8573-1:2010, Class 7:2:4, instrument air, free of aggressive additives. Alternatively the pressure dew point must be at least 10°C below lowest occurring ambient temperature.
Materials	Body: Al (anodized), seals: NBR and POM, inner parts: Al, brass, stainless steel
	Valves in accordance with 2014/34/EU (ATEX) available. (Chapter 13)



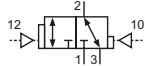
Pneumatically operated spool valve. The valve switches upon pressurization of the pilot port.

3/2-way valves


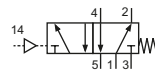
P-07-311
3/2-way, single pilot, mechanical spring return



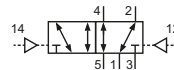
P-07-320
3/2-way, double pilot



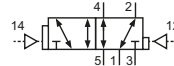
P-07-322
3/2-way, double pilot, one side dominant

5/2- and 5/3 way-valves


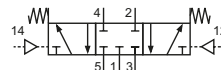
P-07-511
5/2-way, single pilot, mechanical spring return



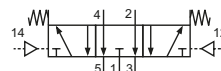
P-07-520
5/2-way, double pilot



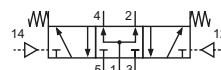
P-07-522
5/2-way, double pilot, one side dominant



P-07-530
5/3-way, center position closed



P-07-533
5/3-way, center position exhausted

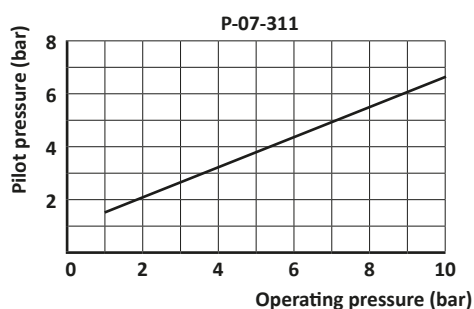


P-07-534
5/3-way, center position pressurized

Technical data

Model-no.:	P-07-311	P-07-320	P-07-322			
Operating pressure (bar)	1 ... 10	0 ... 10	0 ... 10			
Pilot pressure (bar)	see diagram	1.5 ... 10	1.5 ... 10			
Flow rate (NI/min)	1580	1580	1580			
Weight (kg)	0.281	0.350	0.350			

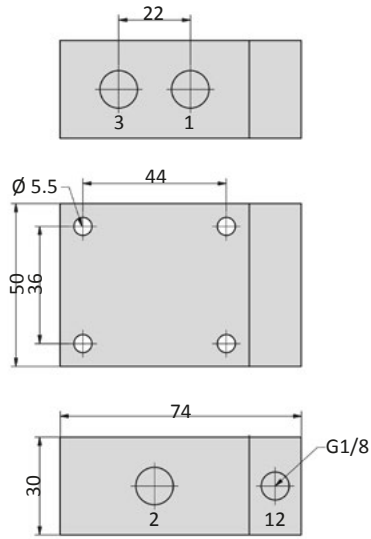
Model-no.:	P-07-511	P-07-520	P-07-522	P-07-530	P-07-533	P-07-534
Operating pressure (bar)	0 ... 10	0 ... 10	0 ... 10	0 ... 8	0 ... 8	0 ... 8
Pilot pressure (bar)	3 ... 10	1.5 ... 10	1.5 ... 10	3 ... 8	3 ... 8	3 ... 8
Flow rate (NI/min)	1580	1580	1580	1300	1300	1300
Weight (kg)	0.360	0.420	0.420	0.420	0.420	0.420



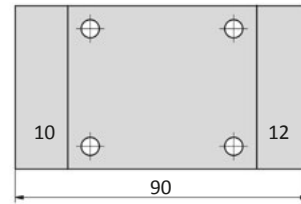
Series P-07

Dimensions

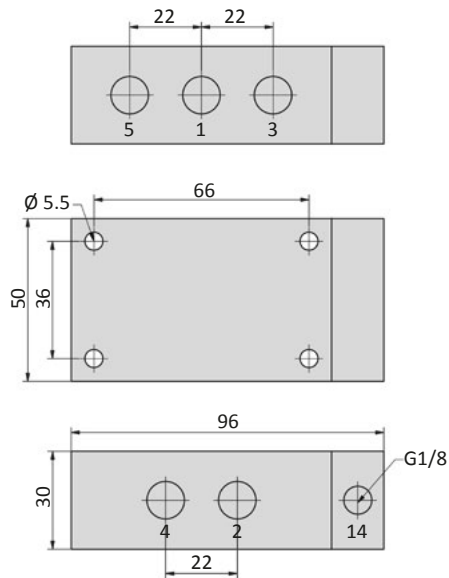
P-07-311



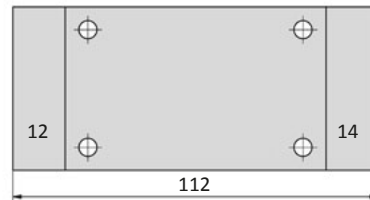
P-07-32x



P-07-511



P-07-52x, P-07-53x



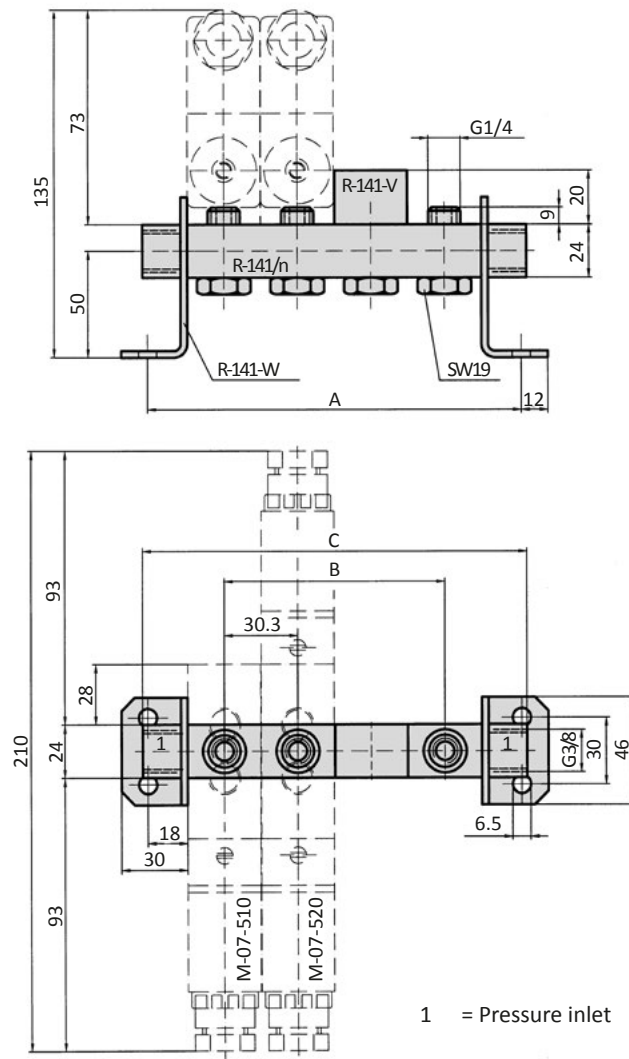
- 1 = pressure inlet
 - 2,4 = outlets
 - 3,5 = exhausts
 - 10,12,14 = pilot ports
- Pilot ports can be repositioned by 180°.

General information

The R-141/n manifold is suitable for the P-07 valve series. As well available are blind plates R-141-V for blank stations and mounting brackets R-141-W (pair). Hollow bolts and gaskets are included.



3

Dimensions


Model-no.:	A	B	C	Weight(kg)
R-141/2	96.6	30.3	100	0.165
R-141/3	126.9	60.6	130	0.227
R-141/4	157.2	90.9	160	0.287
R-141/5	187.5	121.2	190	0.349
R-141/6	217.8	151.5	220	0.412
R-141/8	248.1	181.8	250	0.473
R-141/10	278.4	212.1	280	0.532
R-141/12	399.6	333.3	400	0.781