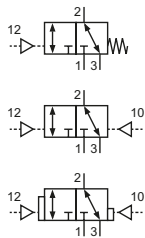


Technical details

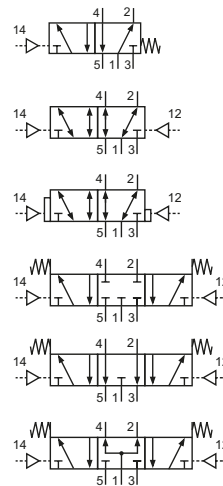
Connection	G1/8
Nominal size	6 mm
Temperature range	-10°C ... +70°C
Medium	Filtered, oil-free and dried compressed air according to ISO 8573-1:2010, Class 7:2:4, instrument air, free of aggressive additives. Alternatively the pressure dew point must be at least 10°C below lowest occurring ambient temperature.
Materials	Body: Al (anodized), seals: NBR and POM, inner parts: Al, brass, stainless steel
	Valves in accordance with 2014/34/EU (ATEX) available. (Chapter 13)



Pneumatically operated spool valve. The valve switches upon pressurization of the pilot port.

3/2-way valves


- P-05-311
3/2-way, single pilot, mechanical spring return
- P-05-320
3/2-way, double pilot
- P-05-322
3/2-way, double pilot, one side dominant

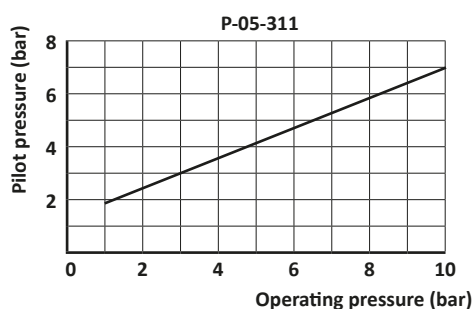
5/2- and 5/3-way valves


- P-05-511
5/2-way, single pilot, mechanical spring return
- P-05-520
5/2-way, double pilot
- P-05-522
5/2-way, double pilot, one side dominant
- P-05-530
5/3-way, center position closed
- P-05-533
5/3-way, center position exhausted
- P-05-534
5/3-way, center position pressurized

Technical data

Model-no.:	P-05-311	P-05-320	P-05-322			
Operating pressure (bar)	1 ... 10	0 ... 10	0 ... 10			
Pilot pressure (bar)	see diagram	2 ... 10	2 ... 10			
Flow rate (NI/min)	750	750	750			
Weight (kg)	0.158	0.195	0.2			

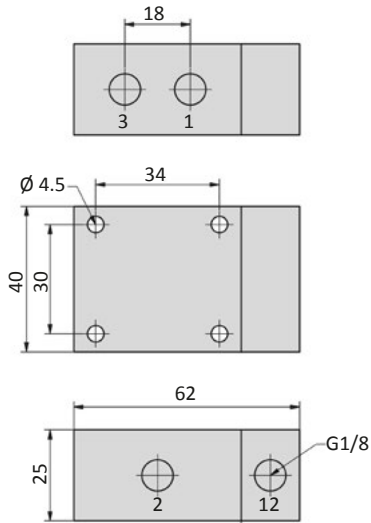
Model-no.:	P-05-511	P-05-520	P-05-522	P-05-530	P-05-533	P-05-534
Operating pressure (bar)	0 ... 10	0 ... 10	0 ... 10	0 ... 8	0 ... 8	0 ... 8
Pilot pressure (bar)	3 ... 10	2 ... 10	2 ... 10	3 ... 8	3 ... 8	3 ... 8
Flow rate (NI/min)	750	750	750	650	650	650
Weight (kg)	0.205	0.245	0.245	0.245	0.245	0.245



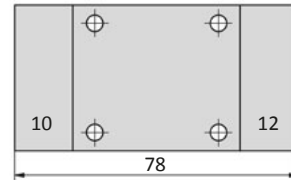
Series P-05

Dimensions

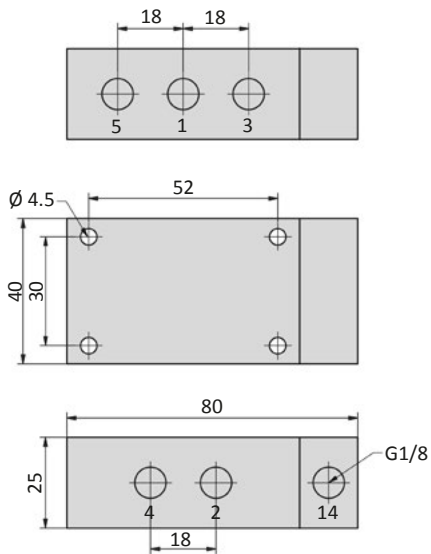
P-05-311



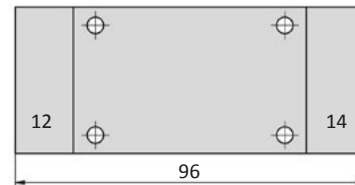
P-05-32x



P-05-511



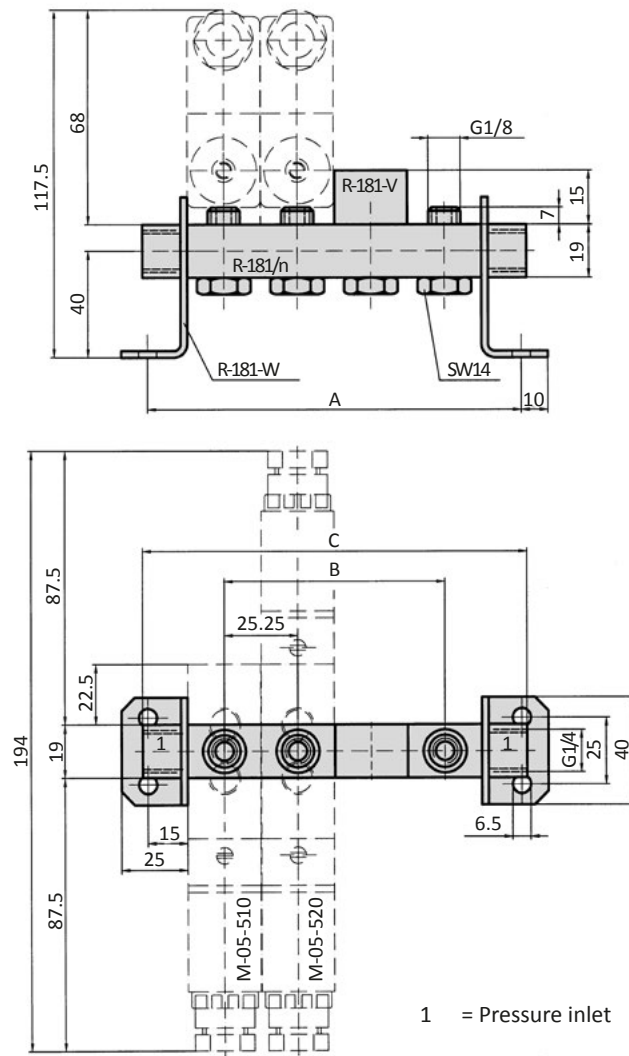
P-05-52x, P-05-53x



- 1 = pressure inlet
 - 2,4 = outlets
 - 3,5 = exhausts
 - 10,12,14 = pilot ports
- Pilot ports can be repositioned by 180°.

General information

The R-181/n manifold is suitable for the P-05 valve series. As well available are blind plates R-181-V for blank stations and mounting brackets R-181-W (pair). Hollow bolts and gaskets are included.


3
Dimensions


Model-no.:	A	B	C	Weight(kg)
R-181/2	80.5	25.25	85	0.084
R-181/3	105.75	50.5	110	0.113
R-181/4	131	75.75	135	0.144
R-181/5	156.25	101	160	0.174
R-181/6	181.5	126.25	185	0.215
R-181/8	232	176.75	235	0.266
R-181/10	282.5	227.25	285	0.326
R-181/12	333	277.75	335	0.385