

Technical details

Temperature range	0°C ... +50°C
Input range	max. 16 bar (size Y0 max. 12 bar)
Mounting	vertically
Medium	compressed air according to ISO 8573-1:2010, neutral gases
Materials	Body: Grivory (PA66), seals: NBR, inner parts: plastic and brass

Micro lubricator (size Y0)
Lubricator with automatic oil filling (scale Y1 to Y3)


Order code

Series		Versions	
		Digit 1	Bowl
04	G1/4 / Y0	1	PC with PA-guard
14	G1/4 / Y1	3	metal bowl with sight glass
37	G3/8 / Y1		
38	G3/8 / Y2		
12	G1/2 / Y2		
34	G3/4 / Y3		
10	G1 / Y3		

OY-**-00-0-*001

Lubricator OY

Technical data

Model-no.:	OY-04-...	OY-14-...	OY-37-...	OY-38-...	OY-12-...	OY-34-...	OY-10-...
Connection	G1/4	G1/4	G3/8	G3/8	G1/2	G3/4	G1
Size	Y0	Y1	Y1	Y2	Y2	Y3	Y3
Flow (l/min)	1400	2800	2800	8000	8000	16000	16000
Lubricator operating limit (l/min)	30	100	100	70	70	115	115
Bowl volume lubricator (cm ³)	35	40	40	80	80	181	181
Weight (kg)	0.15	0.27	0.26	0.43	0.41	0.95	0.89

Accessories

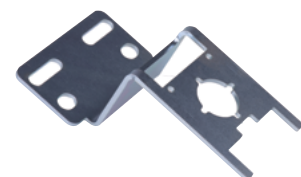
Coupling kits for wall mounting KPY-W



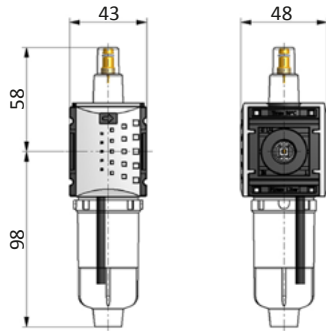
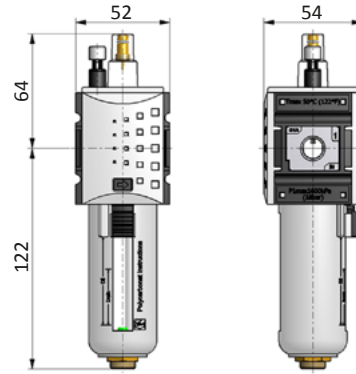
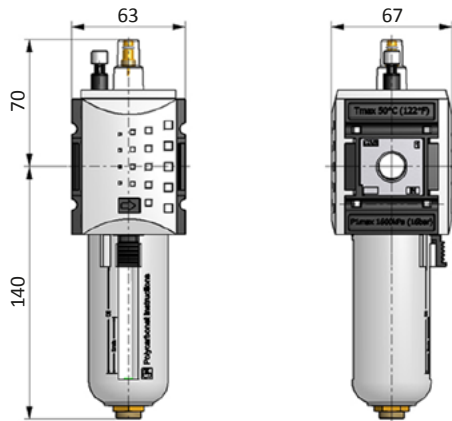
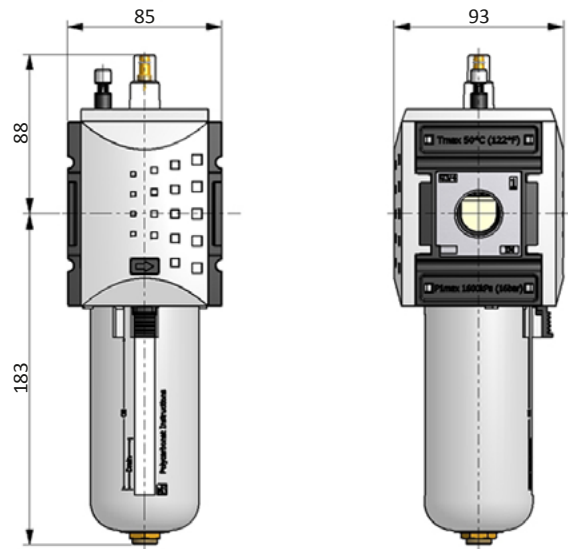
Coupling kits KPY-K



Mounting brackets WYP



Details: Page 04

Dimensions
Size Y0

Size Y1

Size Y2

Size Y3


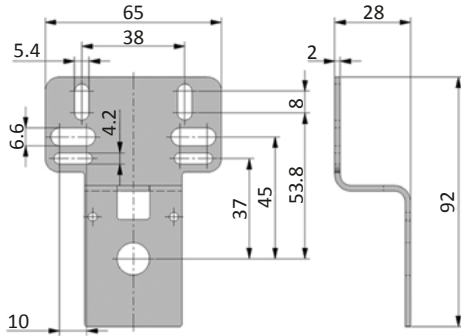
Fastening elements

Bracket kit WYP

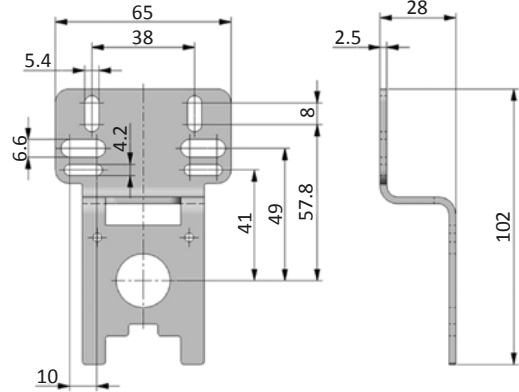
Bracket kit made of zinc coated steel.

The bracket can be mounted at the rear side after removing the rear cover of the unit. The 2 mounting screws are included.

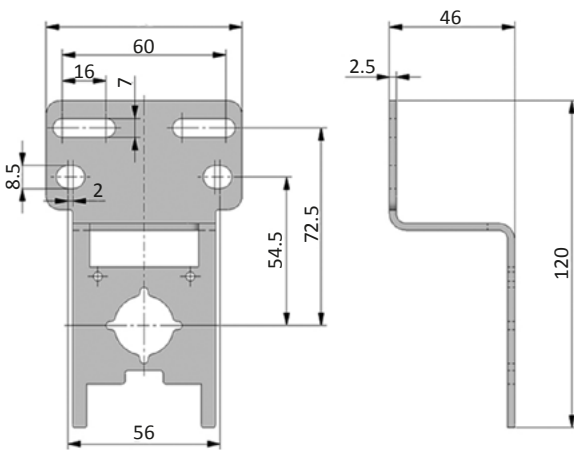
WYP-00



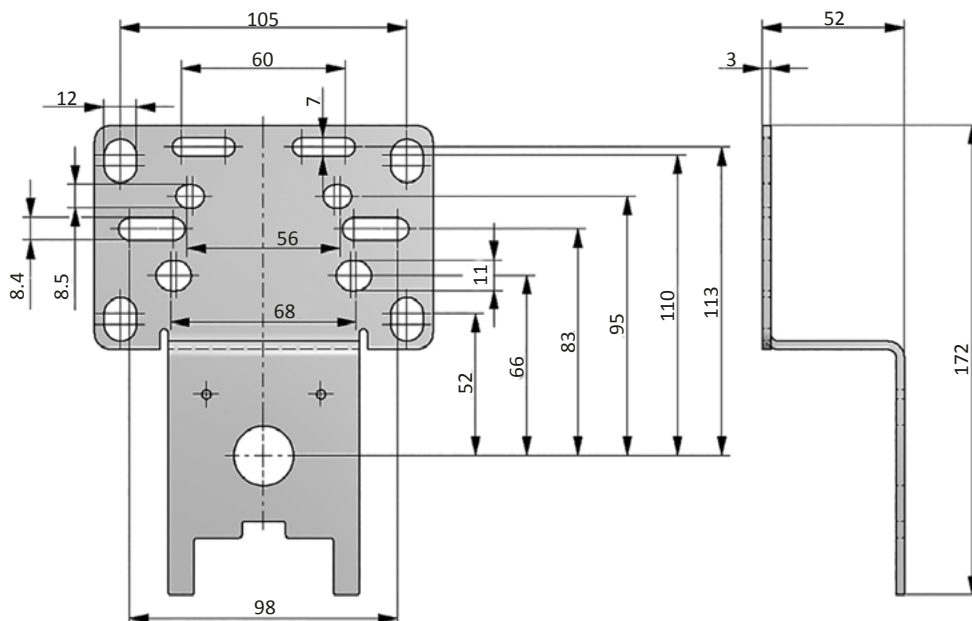
WYP-01



WYP-02



WYP-03



Coupling kits KPY

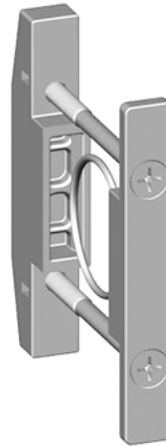
KPY-00, KPY-01



KPY-02

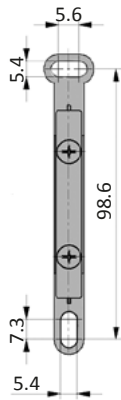
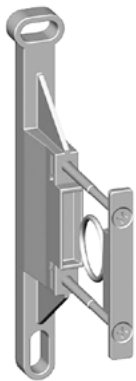


KPY-03

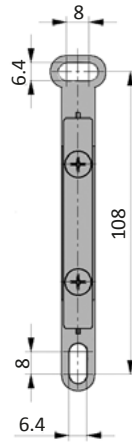
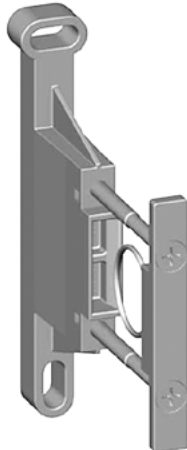


Coupling kits for wall mounting KPY-W

KPY-00-W, KPY-01-W



KPY-02-W



KPY-03-W

