

**Technical details**

<b>Operating pressure</b>	1 ... 10 bar
<b>Temperature range</b>	-10°C ... +80°C
<b>Medium</b>	Filtered, oil-free and dried compressed air according to ISO 8573-1:2010, Class 7:2:4, instrument air, free of aggressive additives. Alternatively the pressure dew point must be at least 10°C below lowest occurring ambient temperature.
<b>Materials</b>	Cylinder tube: Al (anodized) End caps: Al (anodized) Piston rod: stainless steel Seals: PU, NBR (optional FKM)



Single acting pneumatic cylinder with magnetic piston for proximity sensors and built-in cushioning rings. Standard stroke lengths in table below, additional lengths on request.

**Versions**

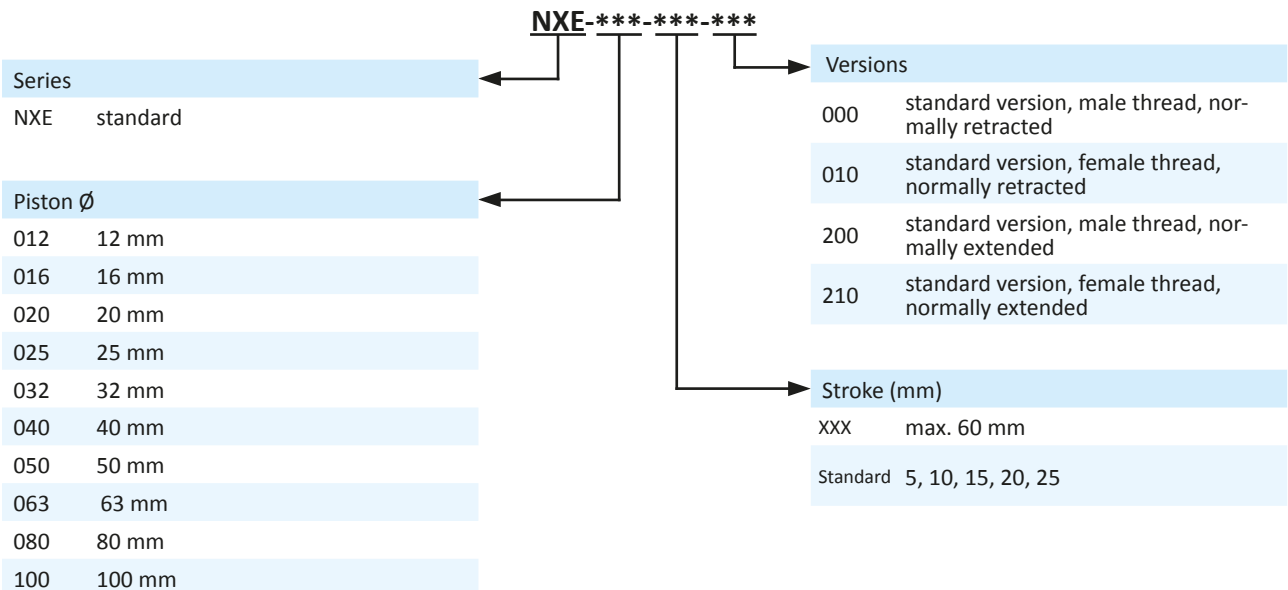


000, 010  
single acting, built-in cushioning rings,  
with magnetic piston,  
normally retracted



200, 210  
single acting, built-in cushioning rings,  
with magnetic piston,  
normally extended

**Order code**



<b>Model-no.:</b>	NXE-012-...	NXE-016-...	NXE-020-...	NXE-025-...	NXE-032-...
<b>Piston Ø (mm)</b>	12	16	20	25	32
<b>Connection</b>	M5	M5	M5	M5	G1/8
<b>Piston rod thread</b>	male M6 female M3	M8 M4	M10 x 1.25 M5	M10 x 1.25 M5	M10 x 1.25 M6

<b>Model-no.:</b>	NXE-040-...	NXE-050-...	NXE-063-...	NXE-080-...	NXE-100-...
<b>Piston Ø (mm)</b>	40	50	63	80	100
<b>Connection</b>	G1/8	G1/8	G1/8	G1/8	G1/4
<b>Piston rod thread</b>	male M10 x 1.25 female M6	M12 x 1.25 M8	M12 x 1.25 M8	M16 x 1.5 M10	M20 x 1.5 M12

## Series NXE

### single acting

#### Technical data

Model-no.:	NXE-	012-...	016-...	020-...	025-...	032-...	040-...	050-...	063-...	080-...	100-...
Weight (kg)	0 mm stroke (-200)*	0.078	0.082	0.135	0.153	0.275	0.376	0.502	0.776	1.453	2.659
	0 mm stroke (-210)*	0.074	0.074	0.121	0.139	0.261	0.362	0.481	0.755	1.402	2.560
	0 mm stroke (-200)**	0.095	0.099	0.162	0.215	0.357	0.476	0.628	0.932	1.807	3.139
	0 mm stroke (-210)**	0.091	0.091	0.148	0.201	0.343	0.462	0.607	0.911	1.756	3.040
	each 100 mm stroke	0.170	0.170	0.270	0.310	0.410	0.500	0.630	0.780	1.180	1.600

\* up to 30 mm stroke, \*\* ab 35 mm stroke

Model-no.:		NXE-012-xxx-0x0	NXE-016-xxx-0x0	NXE-020-xxx-0x0	NXE-025-xxx-0x0	NXE-032-xxx-0x0
Force at 6 bar and 5 mm stroke (N)	Extension	81 ... 83	81 ... 83	133 ... 136	224 ... 227	382 ... 386
	Retraction	26 ... 28	26 ... 28	34 ... 37	38 ... 41	48 ... 52
Force at 6 bar and 10 mm stroke (N)	Extension	81 ... 86	81 ... 86	133 ... 139	224 ... 230	382 ... 389
	Retraction	23 ... 28	23 ... 28	31 ... 37	35 ... 41	45 ... 52
Force at 6 bar and 15 mm stroke (N)	Extension	81 ... 88	81 ... 88	133 ... 142	224 ... 233	382 ... 393
	Retraction	21 ... 28	21 ... 28	28 ... 37	32 ... 41	41 ... 52
Force at 6 bar and 20 mm stroke (N)	Extension	81 ... 90	81 ... 90	133 ... 145	224 ... 236	382 ... 397
	Retraction	19 ... 28	19 ... 28	25 ... 37	29 ... 41	38 ... 52
Force at 6 bar and 25 mm stroke (N)	Extension	81 ... 92	81 ... 92	133 ... 148	224 ... 239	382 ... 400
	Retraction	17 ... 28	17 ... 28	22 ... 37	26 ... 41	34 ... 52

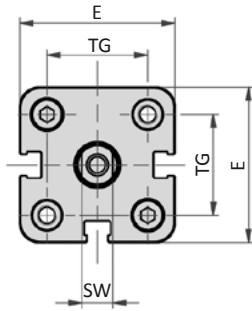
Model-no.:		NXE-040-xxx-0x0	NXE-050-xxx-0x0	NXE-063-xxx-0x0	NXE-080-xxx-0x0	NXE-100-xxx-0x0
Force at 6 bar and 5 mm stroke (N)	Extension	611 ... 616	992 ... 997	1588 ... 1594	2568 ... 2574	4031 ... 4041
	Retraction	63 ... 68	67 ... 75	89 ... 95	140 ... 147	200 ... 210
Force at 6 bar and 10 mm stroke (N)	Extension	611 ... 621	992 ... 1003	1588 ... 1600	2568 ... 2580	4031 ... 4051
	Retraction	58 ... 68	61 ... 75	83 ... 95	134 ... 147	190 ... 210
Force at 6 bar and 15 mm stroke (N)	Extension	611 ... 626	992 ... 1008	1588 ... 1606	2568 ... 2586	4031 ... 4061
	Retraction	53 ... 68	56 ... 75	77 ... 95	128 ... 147	180 ... 210
Force at 6 bar and 20 mm stroke (N)	Extension	611 ... 631	992 ... 1013	1588 ... 1612	2568 ... 2593	4031 ... 4071
	Retraction	48 ... 68	51 ... 75	71 ... 95	121 ... 147	170 ... 210
Force at 6 bar and 25 mm stroke (N)	Extension	611 ... 636	992 ... 1018	1588 ... 1618	2568 ... 2599	4031 ... 4081
	Retraction	43 ... 68	45 ... 75	65 ... 95	115 ... 147	160 ... 210

Model-no.:		NXE-012-xxx-2x0	NXE-016-xxx-2x0	NXE-020-xxx-2x0	NXE-025-xxx-2x0	NXE-032-xxx-2x0
Force at 6 bar and 5 mm stroke (N)	Extension	26 ... 28	26 ... 28	34 ... 37	38 ... 41	48 ... 52
	Retraction	53 ... 55	53 ... 55	133 ... 136	224 ... 227	382 ... 386
Force at 6 bar and 10 mm stroke (N)	Extension	23 ... 28	23 ... 28	31 ... 37	35 ... 41	45 ... 52
	Retraction	53 ... 58	53 ... 58	133 ... 139	224 ... 230	382 ... 389
Force at 6 bar and 15 mm stroke (N)	Extension	21 ... 28	21 ... 28	28 ... 37	32 ... 41	41 ... 52
	Retraction	53 ... 60	53 ... 60	133 ... 142	224 ... 233	382 ... 393
Force at 6 bar and 20 mm stroke (N)	Extension	19 ... 28	19 ... 28	25 ... 37	29 ... 41	38 ... 52
	Retraction	53 ... 62	53 ... 62	133 ... 145	224 ... 236	382 ... 397
Force at 6 bar and 25 mm stroke (N)	Extension	17 ... 28	17 ... 28	22 ... 37	26 ... 41	34 ... 52
	Retraction	53 ... 64	53 ... 64	133 ... 148	224 ... 239	382 ... 400

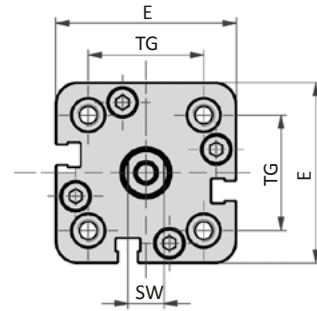
Model-no.:		NXE-040-xxx-2x0	NXE-050-xxx-2x0	NXE-063-xxx-2x0	NXE-080-xxx-2x0	NXE-100-xxx-2x0
Force at 6 bar and 5 mm stroke (N)	Extension	63 ... 68	67 ... 75	89 ... 95	140 ... 147	200 ... 210
	Retraction	611 ... 616	992 ... 997	1588 ... 1594	2568 ... 2574	4031 ... 4041
Force at 6 bar and 10 mm stroke (N)	Extension	58 ... 68	61 ... 75	83 ... 95	134 ... 147	190 ... 210
	Retraction	611 ... 621	992 ... 1003	1588 ... 1600	2568 ... 2580	4031 ... 4051
Force at 6 bar and 15 mm stroke (N)	Extension	53 ... 68	56 ... 75	77 ... 95	128 ... 147	180 ... 210
	Retraction	611 ... 626	992 ... 1008	1588 ... 1606	2568 ... 2586	4031 ... 4061
Force at 6 bar and 20 mm stroke (N)	Extension	48 ... 68	51 ... 75	71 ... 95	121 ... 147	170 ... 210
	Retraction	611 ... 631	992 ... 1013	1588 ... 1612	2568 ... 2593	4031 ... 4071
Force at 6 bar and 25 mm stroke (N)	Extension	43 ... 68	45 ... 75	65 ... 95	115 ... 147	160 ... 210
	Retraction	611 ... 636	992 ... 1018	1588 ... 1618	2568 ... 2599	4031 ... 4081

Dimensions series NXE

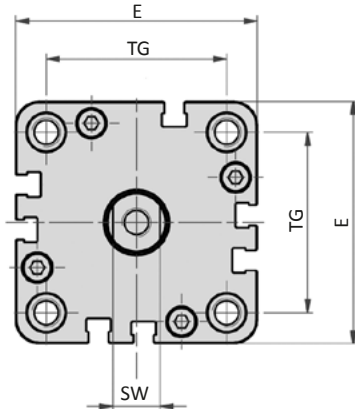
Ø 12 - 25



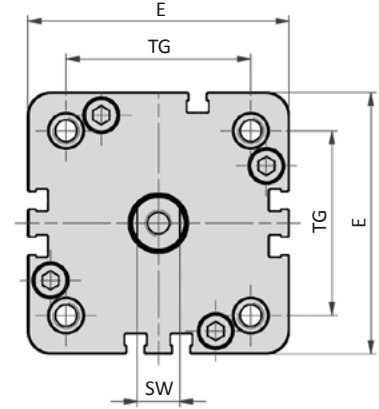
Ø 32-40



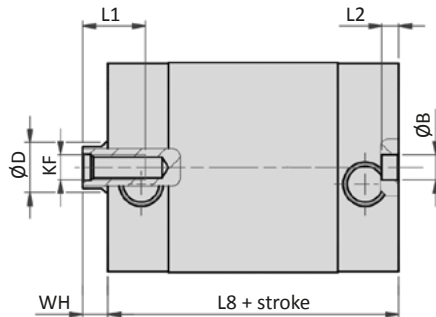
Ø 50



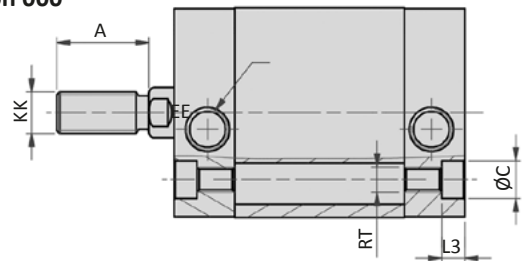
Ø 63 - 100



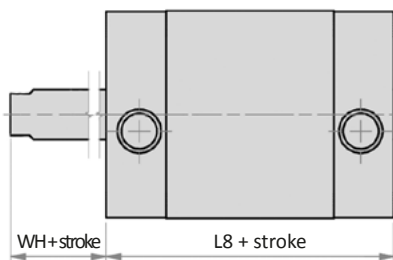
Version 010



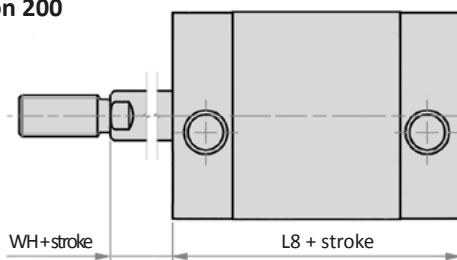
Version 000



Version 210



Version 200



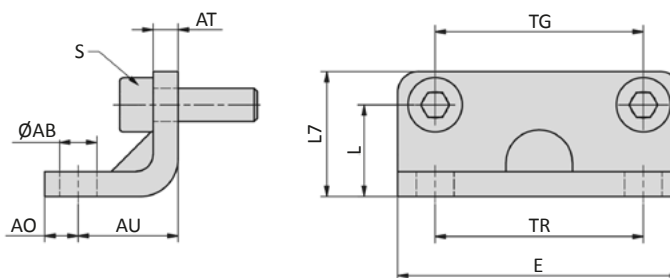
Piston Ø	A	Ø B	Ø C	Ø D	E	EE	KF	KK	L1	L2	L3	L8*	L8**	RT	SW	TG	WH
12	16	6	6	8	29	M5	M3	M6	6	4	3.5	38	48	M4	5	18	4.5
16	20	6	6	8	29	M5	M4	M8	8	4	3.5	38	48	M4	6	18	4.5
20	22	6	7.5	10	36	M5	M5	M10 x 1.25	10	4	4.5	38	48	M5	8	22	4.5
25	22	6	7.5	10	40	M5	M5	M10 x 1.25	10	4	4.5	39.5	59.5	M5	8	26	5.5
32	22	6	9	12	50	G1/8	M6	M10 x 1.25	12	4	5.5	44.5	64.5	M6	10	32	6
40	22	6	9	12	58	G1/8	M6	M10 x 1.25	12	4	5.5	45.5	65.5	M6	10	42	6.5
50	24	6	10.5	16	67	G1/8	M8	M12 x 1.25	12	4	6.5	45.5	65.5	M8	13	50	7.5
63	24	8	13.5	16	80	G1/8	M8	M12 x 1.25	14	4	8.5	50	70	M10	13	62	7.5
80	32	8	13.5	20	100	G1/8	M10	M16 x 1.5	15	4	8.5	56	86	M10	17	82	8
100	40	8	13.5	25	124	G1/4	M12	M20 x 1.5	20	4	8.5	66.5	96.5	M10	22	103	10

\* up to 30 mm stroke, \*\* from 35 mm stroke

## Series NXD

### Mounting accessories

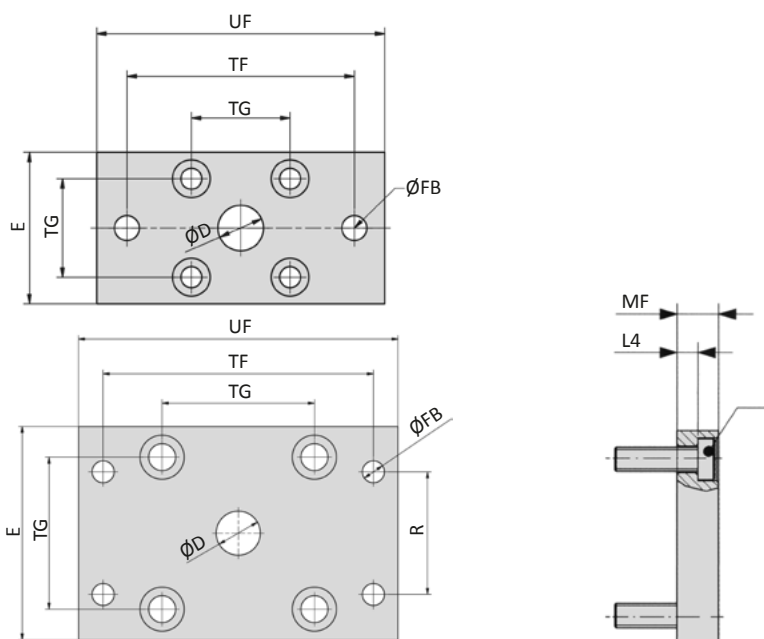
#### NXB-xxx-01 Foot mount



Model-no.:	Ø AB	AO	AU	AT	E	L	L7	S	TG	TR
NXB-032-01	6.6	8	18	5	50	16	24	M6 x 20	32	32
NXB-040-01	9	8	20	5	60	21.5	29.5	M6 x 20	42	42
NXB-050-01	9	8	24	6	68	22	30	M8 x 20	50	50
NXB-063-01	11	12	27	6	84	28.5	39	M8 x 20	62	62
NXB-080-01	11	12	30	8	102	24.5	36.5	M10 x 20	82	82
NXB-100-01	13.5	12	33	8	123	26.5	38.5	M10 x 20	103	103

material: steel, zinc plated; 2 x 2 screws in accordance with EN ISO 4762 are included.

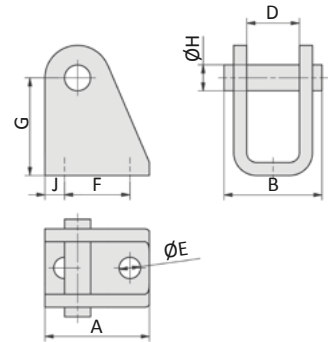
#### NXB-xxx-02 Flange mount



Model-no.:	Ø D	E	Ø FB	L4	MF	R	S	TF	TG	UF
NXB-016-02	10	29	5.5	4.6	10	-	M4 x 16	43	18	55
NXB-020-02	12	36	6.6	4.6	10	-	M5 x 20	55	22	70
NXB-025-02	12	40	6.6	4.6	10	-	M5 x 20	60	26	76
NXB-032-02	14	50	7	3.6	10	32	M6 x 20	65	32	80
NXB-040-02	14	60	9	3.6	10	36	M6 x 20	82	42	102
NXB-050-02	18	68	9	3.4	12	45	M8 x 25	90	50	110
NXB-063-02	18	87	9	4.4	15	50	M10 x 25	110	62	130
NXB-080-02	23	107	12	4.4	15	63	M10 x 25	135	82	160
NXB-100-02	28	128	14	4.4	15	75	M10 x 30	163	103	190

material: steel, zinc plated; 4 screws in accordance with DIN 7984 are included.

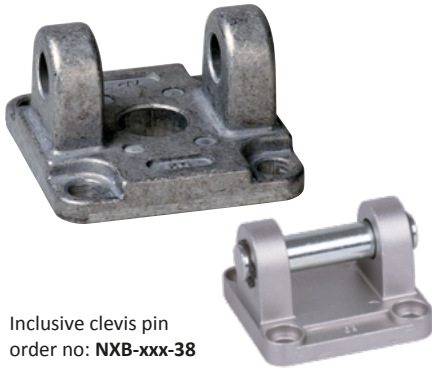
**RC-xx Clevis mount**



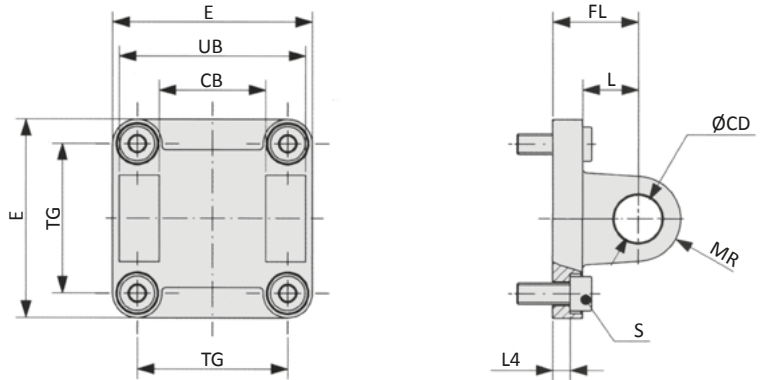
Model-no.:	A	B	D	Ø E	F	G	Ø H	J
RC-16	25	23	12.1	5.5	15	27	6	5
RC-30	32	30	16.1	6.6	20	30	8	6

material: steel, zinc plated, 2 snap rings are included.

**NXB-xxx-03 Clevis mount**



Inclusive clevis pin  
order no: **NXB-xxx-38**

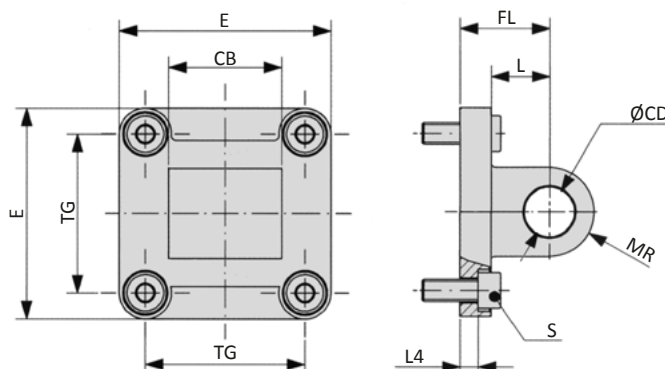


Model-no.:	CB	Ø CD	E	FL	L	L4	MR	S	TG	UB
NXB-032-03	26	10	48	22	13	5.5	10	M6 x 16	32	45
NXB-040-03	28	12	58	25	16	5.5	12.5	M6 x 16	42	52
NXB-050-03	32	12	66	27	16	6.5	12.5	M8 x 20	50	60
NXB-063-03	40	16	83	32	21	6.5	15	M10 x 25	62	70
NXB-080-03	50	16	102	36	23	10	15	M10 x 30	82	90
NXB-100-03	60	20	123	41	26	10	20	M10 x 30	103	110

material: Al, 4 screws in accordance with EN ISO 4762 are included.

## Series NXD Mounting accessories

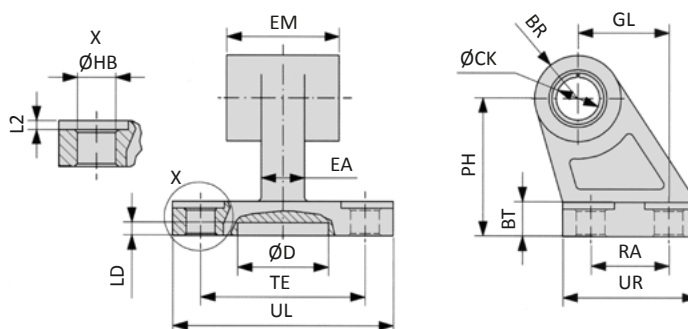
### NXB-xxx-04 Swivel mount



Model-no.:	CB	Ø CD	E	FL	L	L4	MR	S	TG
NXB-016-04	12	6	27	16	10	2.6	6	M4 x 12	18
NXB-020-04	16	8	34	20	14	2.6	8	M5 x 16	22
NXB-025-04	16	8	38	20	14	2.6	8	M5 x 16	26

material: Al, 4 screws in accordance with EN ISO 4762 are included.

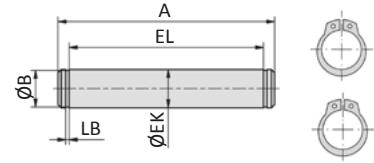
### XLB-xxx-06 Swivel mount 90°



Model-no.:	BR	BT	ØCK	Ø D	EA	EM	GL	ØHB	L2	LD	PH	RA	TE	UL	UR
XLB-032-06	10	8	10	21	10	26	21	6.6	1.6	3	32	18	38	51	31
XLB-040-06	11	10	12	21	15	28	24	6.6	1.6	3	36	22	41	54	35
XLB-050-06	13	12	12	21	16	32	33	9	1.6	3	45	30	50	65	45
XLB-063-06	15	14	16	21	16	40	37	9	1.6	3	50	35	52	67	50
XLB-080-06	15	14	16	21	20	50	47	11	2.5	3	63	40	66	86	60
XLB-100-06	19	17	20	11	20	60	55	11	2.5	3	71	50	76	96	70

material: Al, bushing steel and PTFE

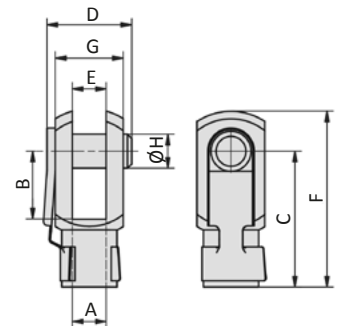
**XLB-xxx-08 Clevis pin**



Model-no.:	A	Ø B	Ø EK	EL	LB
XLB-032-08	53	9.6	10	46	1.1
XLB-040-08	60	11.5	12	53	1.1
XLB-050-08	68	11.5	12	61	1.1
XLB-063-08	78	15.2	16	71	1.1
XLB-080-08	98	15.2	16	91	1.1
XLB-100-08	118	19	20	111	1.3

material: steel, zinc plated; 2 snap rings are included.

**RD-xx, FD-xx Rod clevis**



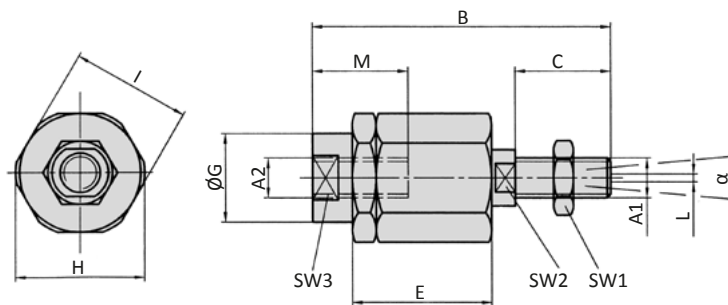
Model-no.:	for cylinder Ø	A	B	C	D	E	F	G	Ø H
RD-16	12	M6	12	24	16	6	31	12	6
RD-20	16	M8	16	32	22	8	42	16	8
RD-25	20 - 40	M10 x 1.25	20	40	26	10	52	20	10
FD-40	50, 63	M12 x 1.25	24	48	32	12	62	24	12
FD-63	80	M16 x 1.5	32	64	40	16	83	32	16
FD-80	100	M20 x 1.5	40	80	50	20	105	40	20

material: steel, zinc plated



## Series NXD Mounting accessories

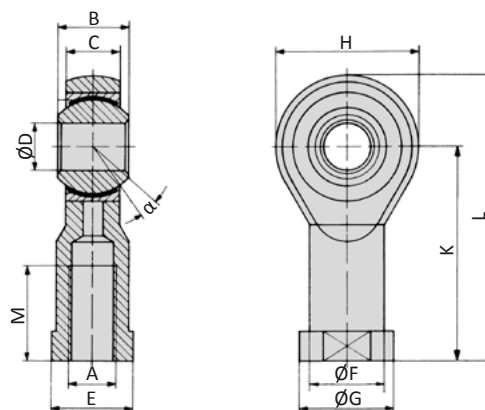
### FK-xx Flexible coupling



Model-no.:	for cylinder	A1, A2	B	C	D	E	Ø G	H	I	L	M	SW1	SW2	SW3	α
FK-16	12	M6	35	11	2.5	17.5	8.5	14.5	13	1	12.5	10	5	7	6°
FK-20	16	M8	57	21	5	26	12.5	19	17	2	16	13	7	11	8°
FK-32	20 - 40	M10 x 1.25	71.5	20	7.5	35	22	32	30	2	22	17	12	19	8°
FK-40	50, 63	M12 x 1.25	71.5	20	7.5	35	22	32	30	2	22	19	12	19	8°
FK-63	80	M16 x 1.5	104	32	10	53	32	45	41	2	30	24	20	27	6°
FK-80	100	M20 x 1.5	119	40	10	53	32	45	41	2	37	30	20	27	6°

material: steel, zinc plated

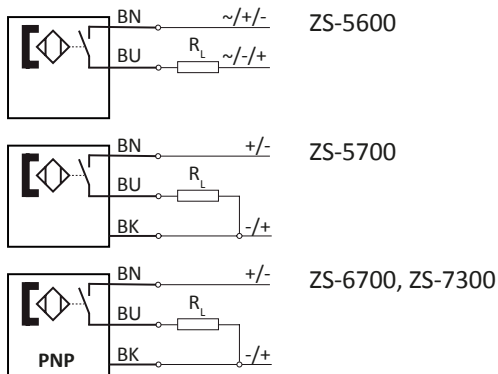
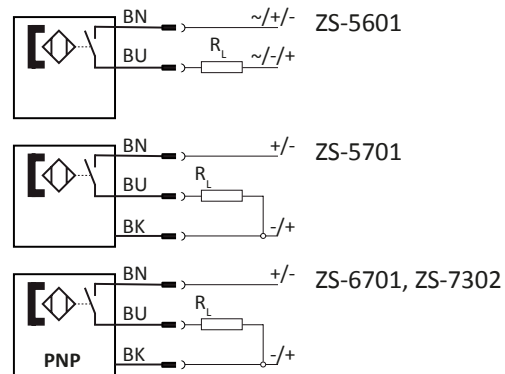
### RO-xx, FO-xx Rod eye



Model-no.:	for cylinder	A	B	C	Ø D	E	Ø F	Ø G	H	K	L	M	α
RO-16	12	M6	9	6.75	6	11	10	13	20	30	40	12	13°
RO-20	16	M8	12	9	8	14	12.5	16	24	36	48	16	14°
RO-25	20 - 40	M10 x 1.25	14	10.5	10	17	15	19	28	43	57	20	13°
FO-40	50, 63	M12 x 1.25	16	12	12	19	17.5	22	32	50	66	22	13°
FO-63	80	M16 x 1.5	21	15	16	22	22	27	42	64	85	28	15°
FO-80	100	M20 x 1.5	25	18	20	30	27.5	34	50	77	102	33	14°

materials: steel, zinc plated, bearing steel, bronze bushing



**Proximity sensors with cable**

**Proximity sensors with plug**

**Technical data**

Model-no.:	ZS-5600	ZS-5601	ZS-5700	ZS-5701
<b>Design</b>				
<b>Contact function</b>	2-pole Reed sensor	2-pole Reed sensor	3-pole Reed sensor	3-pole Reed sensor
<b>Rated operational voltage</b>	5 ... 240 V AC / DC	5 ... 60 V AC / DC	5 ... 30 V DC	5 ... 30 V DC
<b>Rated operational current I<sub>E</sub></b>	3 ... 100 mA	3 ... 100 mA	≤ 500 mA	≤ 500 mA
<b>Max. voltage drop at I<sub>E</sub></b>	≤ 2.5	≤ 2.5	≤ 0.1	≤ 0.1
<b>Breaking capacity</b>	10 W	10 W	10 W	10 W
<b>Cable length</b>	3 m	0.3 m with M8 connection	5 m	0.3 m with M8 connection
<b>Temperature range</b>	-10 ... +70°C	-10 ... +70°C	-10 ... +70°C	-10 ... +70°C
<b>Protection</b>	IP 67	IP 67	IP 67	IP 67
<b>Switching status indication</b>	LED red	LED red	LED yellow	LED yellow

Model-no.:	ZS-6700	ZS-6701	ZS-7300	ZS-7302
<b>Design</b>				
<b>Contact function</b>	3-pole inductive	3-pole inductive	3-pole inductive	3-pole inductive
<b>Output</b>	NO	NO	NO	NO
<b>Rated operational voltage</b>	PNP	PNP	PNP	PNP
<b>Rated operational current I<sub>E</sub></b>	5 ... 30 V DC	5 ... 30 V DC	10 ... 30 V DC	10 ... 30 V DC
<b>Max. voltage drop at I<sub>E</sub></b>	≤ 200 mA	≤ 200 mA	≤ 100 mA	≤ 100 mA
<b>Breaking capacity</b>	≤ 1.0	≤ 1.0	≤ 2.5	≤ 2.5
<b>Cable length</b>	6 W	6 W	3 W	3 W
<b>Temperature range</b>	3 m	0.3 m with M8 connection	6 m	0.3 m with M12 connection
<b>Protection</b>	-10 ... +70°C	-10 ... +70°C	-20 ... +60°C	-20 ... +60°C
<b>Switching status indication</b>	IP 67	IP 67	IP 67	IP 67
	LED green	LED green	LED yellow	LED yellow
	-	-	II 3G Ex nA T4 II 3D Ex tD A22 IP67 T 125°C	II 3D Ex tc IIIC T125°C Dc X

## Series ZS

### Proximity sensors

#### Cable with bushing for proximity sensors

Model-no.:	KA-30	KA-50	KA-51	KA-100	KA-101
Connection	M8, snap-in	M8, snap-in	M8, snap-in	M8, snap-in	M8, snap-in
Version	straight	straight	elbow 90°	straight	elbow 90°
Cable length	3 m	5 m	5 m	10 m	10 m

#### Mounting

The sensors are mounted at the groove of the cylinder profile. It is fixed by turning the fixing screw at the sensor clockwise. The cover stripe XLB-011 (see below) can be used for protecting the sensor cable.

#### Cover for sensor groove

Model-no.:	XLB-011
Design	plastic profile, 50 cm length, blue
For series	XL, NXD, NXE, NYD, NYE, NYSE, LX

