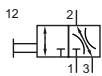


Technical details

Temperature range	0°C ... +60°C
Input range	max. 16 bar
Mounting	arbitrary
Medium	compressed air according to ISO 8573-1:2010, neutral gases
Materials	Body: zinc diecasting, seals: NBR, inner parts: plastic and brass

3/2 directional control valve, operated by a knob.
 Locking: padlock possible.
 Silencer is mounted in exhaust.



Order code

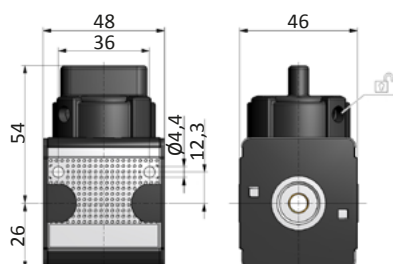
Series	KX-**-00-0-0001
Connection / Size	
14 G1/4 / X1	
37 G3/8 / X1	
12 G1/2 / X2	
34 G3/4 / X2	

Technical data

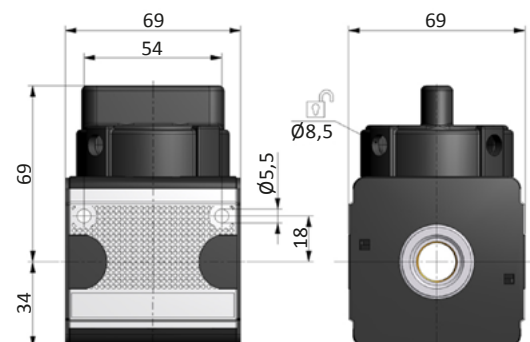
Model-no.:	KX-14-...	KX-37-...	KX-12-...	KX-34-...
Connection	G1/4	G3/8	G1/2	G3/4
Size	X1	X1	X2	X2
Flow (1-2 in NI/min)	2800	2800	11000	11000
Weight (kg)	0.35	0.34	0.79	0.77

Dimensions

Size X1



Size X2

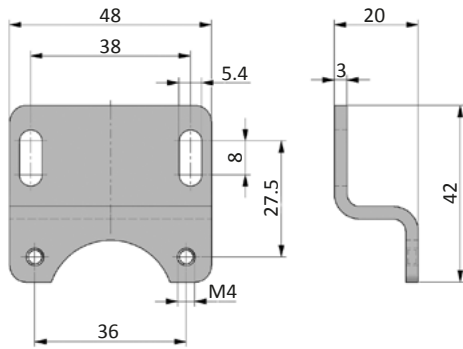


Fastening elements

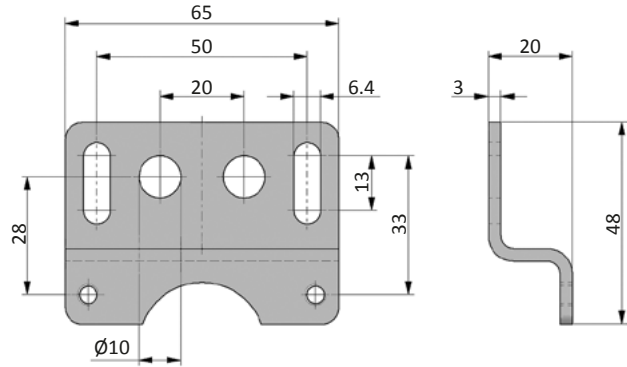
Mounting brackets WX

Mounting brackets made of zinc coated steel.

WX-11

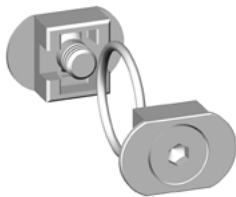


WX-33



Coupling kits KPX

KPX-11



KPX-33

