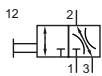


Technical details

Temperature range	0°C ... +60°C
Input range	max. 16 bar
Mounting	arbitrary
Medium	compressed air according to ISO 8573-1:2010, neutral gases
Materials	Body: zinc diecasting, seals: NBR, inner parts: plastic and brass



3/2 directional control valve, operated by a knob.
Locking: padlock possible.



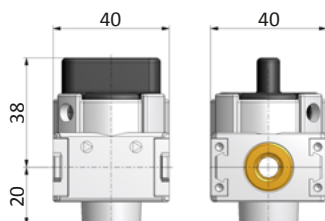
Order code

Series	KK-**-00-0-0001 ↳ ↳
Connection	
18 G1/8	
14 G1/4	

Technical data

Model-no.:	KK-18-...	KK-14-...
Connection	G1/8	G1/4
Bestell-Nr.:	DAX-14-...	DAX-12-...
Anschluss	G1/4	G1/2
Baureihe	X1	X2
Durchfluss	1000	4000
Gewicht (kg)	0,33	0,72

Dimensions

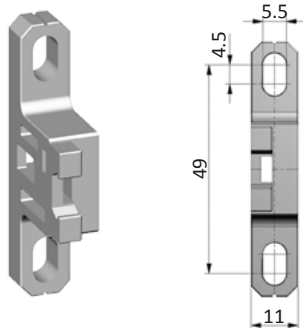


Fastening elements

Mounting bracket WK-00

Mounting bracket (set of two pieces) made of PA 66. Mounting only sidewise possible.

WK-00



Coupling kit KPK

KPK-00

