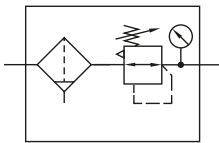


Filter regulator FRY

Technical details

Temperature range	0°C ... +50°C
Input range	1.5 ... 16 bar (size Y0 max. 12 bar)
Mounting	vertically, drain at bottom
Medium	compressed air according to ISO 8573-1:2010, neutral gases
Materials	Body: Grivory (PA66) and POM, bowl: PC, seals: NBR, inner parts: zinc coated steel, stainless steel and brass

Combination of pressure regulator with diaphragm and relieving feature and sintered filter according to the centrifugal force principle.
Locking: rotary lock and padlock possible.



Order code

FRY-***-**-5-***1	
Series	Versions
Connection / Size 04 * G1/4 / Y0 14 G1/4 / Y1 37 G3/8 / Y1 38 G3/8 / Y2 12 G1/2 / Y2 34 G3/4 / Y3 10 G1 / Y3	Digit 1 Bowl 1 PC with PA-guard 3 metal bowl with sight glass
Output range 04 0.2 ... 4 bar 08 0.5 ... 8 bar 10 0.5 ... 10 bar (standard)	Digit 2 Drain 2 semi-automatic (standard) 3 automatic, NO (open at 0 bar input pressure) 4 automatic, NC (closed at 0 bar input pressure)
Filter element 5 5 µm	Digit 3 Gauge, flow direction 0 without gauge, flow from left to right 1 without gauge, flow from right to left 2 with gauge, flow from left to right (standard) 3 with gauge, flow from right to left

* FRY-04 only with integrated gauge and flow from left to right available.

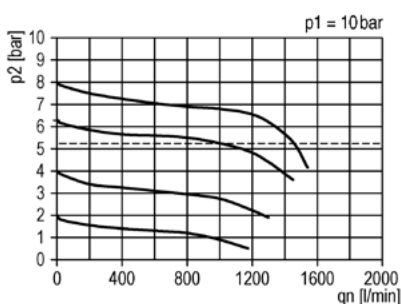
Filter regulator FRY

Technical data

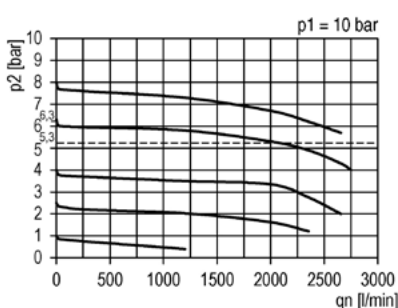
Model-no.:	FRY-04-...	FRY-14-...	FRY-37-...	FRY-38-...	FRY-12-...	FRY-34-...	FRY-10-...
Connection	G1/4	G1/4	G3/8	G3/8	G1/2	G3/4	G1
Size	Y0	Y1	Y1	Y2	Y2	Y3	Y3
Flow (l/min)	1000	2200	2600	4300	5200	14000	14000
Internal air consumption	-	-	-	-	-	max. 1.5 l/min	max. 1.5 l/min
Bowl volume (cm ³)	16	28	28	49	49	87	87
Weight (kg)	0.23	0.36	0.36	0.85	0.85	0.99	0.99

Flow characteristic

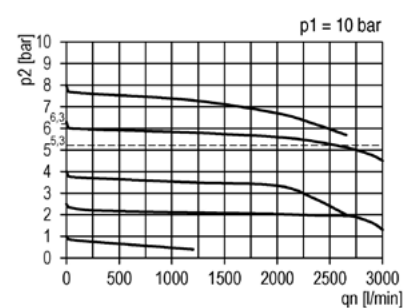
FRY-04



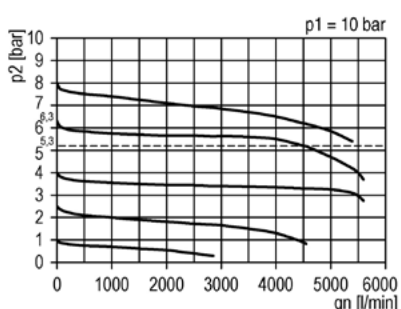
FRY-14



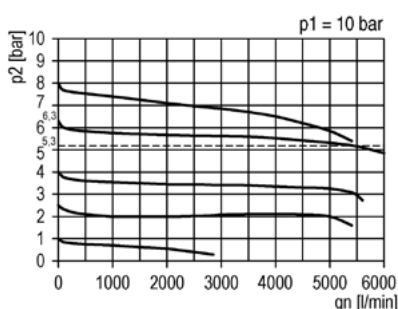
FRY-37



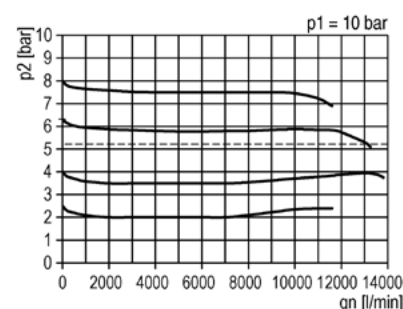
FRY-38



FRY-12



FRY-34, FRY-10

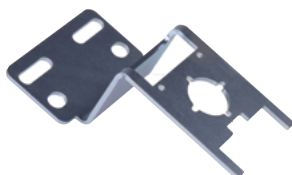


Accessories

Mounting brackets WYL



Mounting brackets WYP



Coupling kits for wall mounting KPY-W



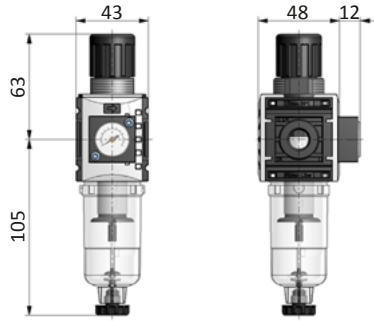
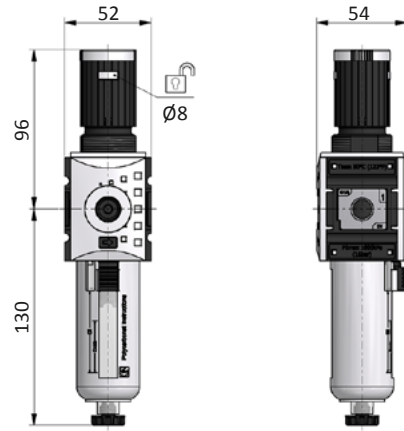
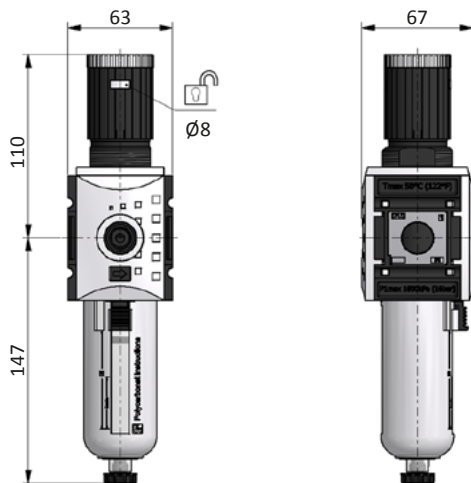
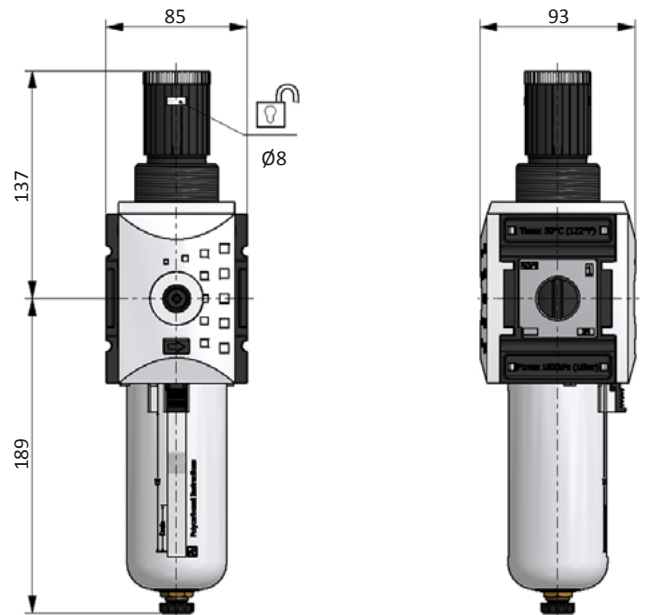
Coupling kits KPY-K



Mounting nut RMY



Details: see page 04

Dimensions
Size Y0

Size Y1

Size Y2

Size Y3


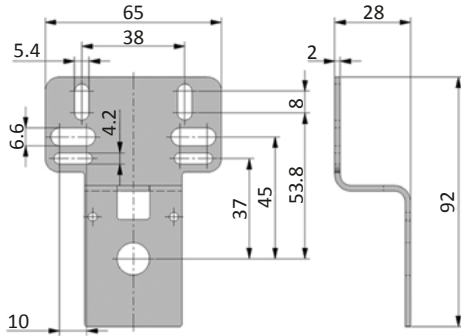
Fastening elements

Bracket kit WYP

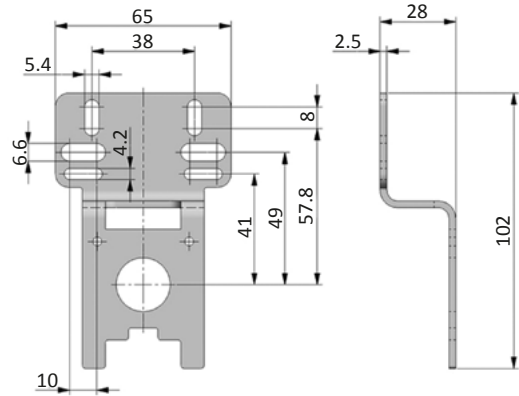
Bracket kit made of zinc coated steel.

The bracket can be mounted at the rear side after removing the rear cover of the unit. The 2 mounting screws are included.

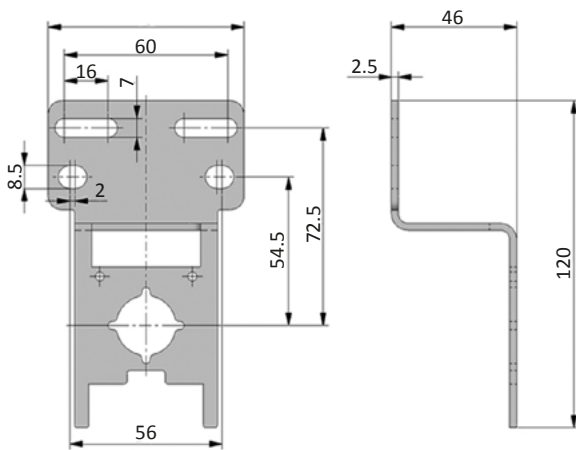
WYP-00



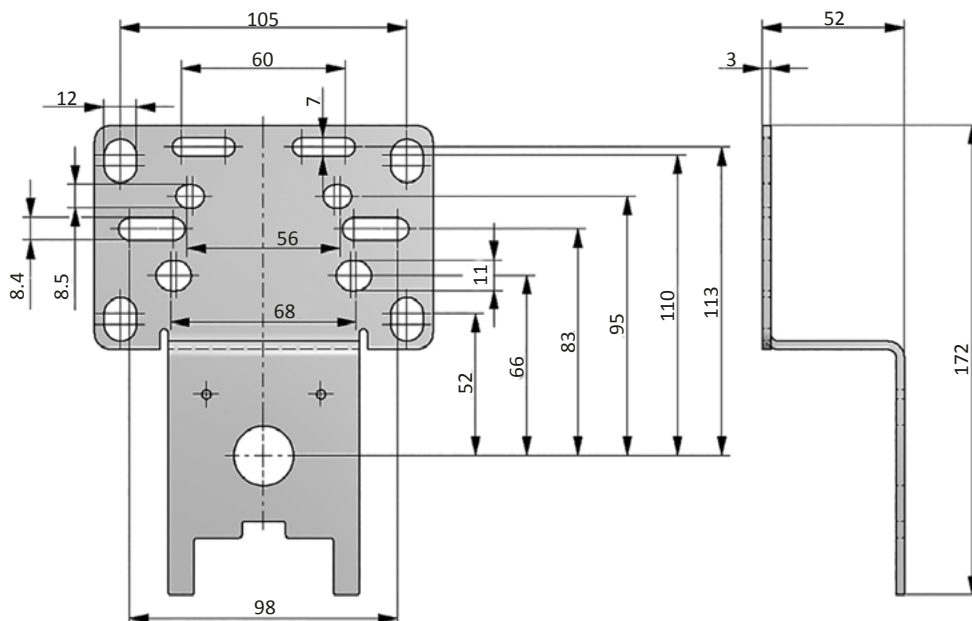
WYP-01



WYP-02

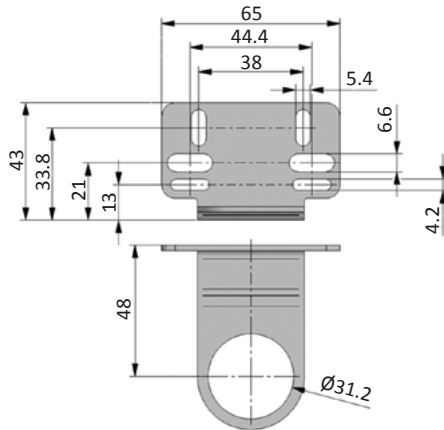
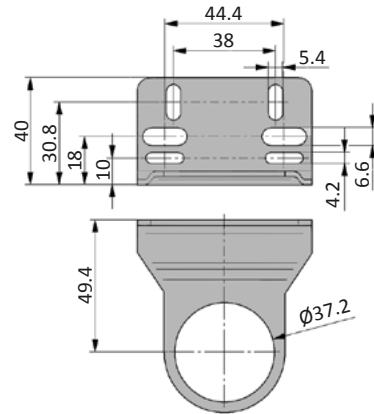
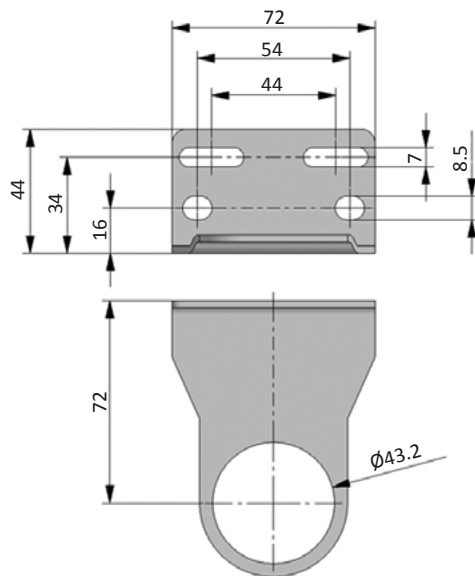


WYP-03



Mounting brackets WYL

Mounting brackets made of zinc coated steel. Assembling with mounting nut (not included).

WYL-00

WYL-01

WYL-02


Coupling kits

Coupling kits KPY

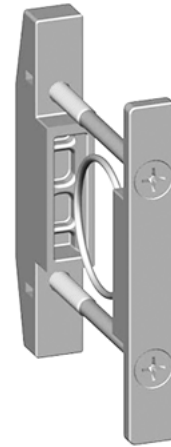
KPY-00, KPY-01



KPY-02

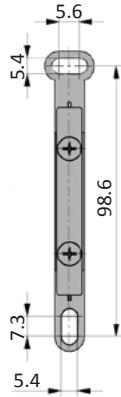
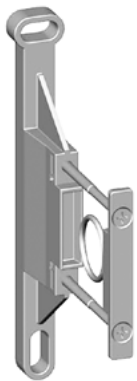


KPY-03

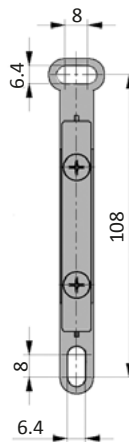
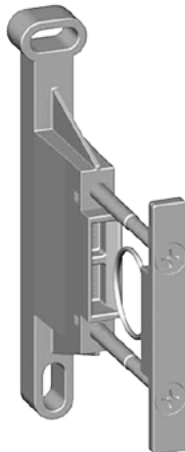


Coupling kits for wall mounting KPY-W

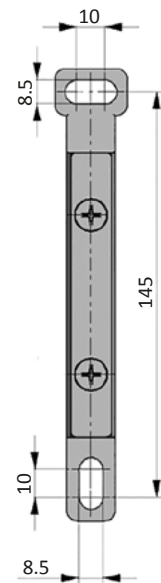
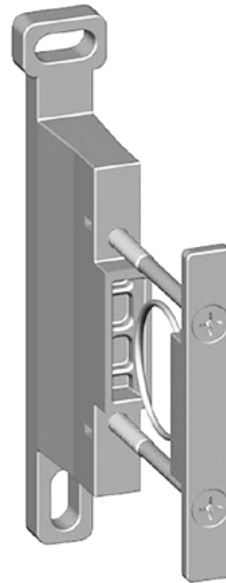
KPY-00-W, KPY-01-W



KPY-02-W



KPY-03-W



Technical details

Temperature range	-20°C ... +60°C
Accuracy class	2.5 according to EN 837-1
Application	Constant load: 3/4 x scale value Alternating load: 2/3 x scale value
Materials	Body: ABS, black Window: plastic, clear, clipped-on Dial: plastic, white with stop pin Scale black (psi) and blue (bar)
Temperature drift	± 0.4% / 10 K if deviation from normal temperature (+ 20°C)



Bourdon tube pressure gauge (EN 837-1), pressure connection rear.



Order code

Series		MXA-**-***-**-**		Connection	
Diameter				18	G1/8
40	40 mm			14	G1/4
50	50 mm				
63	63 mm				
Range					
06	0 ... 6 bar				
10	0 ... 10 bar				
16	0 ... 16 bar				

Technical data

Model-no.:	MXA-50-06-14		MXA-50-10-14		MXA-50-16-14	
Connection	G1/4		G1/4		G1/4	
Standard for series	-		-		X1. X2. Y1. Y2	
Range	0 ... 6 bar		0 ... 10 bar		0 ... 16 bar	
Weight (kg)	0.071		0.071		0.071	

Model-no.:	MXA-40-06-18	MXA-40-10-18	MXA-40-16-18	MXA-63-06-14	MXA-63-10-14	MXA-63-16-14
Connection	G1/8	G1/8	G1/8	G1/4	G1/4	G1/4
Standard for series	-	-	K. RD	-	-	Y3
Range	0 ... 6 bar	0 ... 10 bar	0 ... 16 bar	0 ... 6 bar	0 ... 10 bar	0 ... 16 bar
Weight (kg)	0.071	0.071	0.071	0.080	0.080	0.080