

Two piece air service unit FROY

Technical details

Temperature range	0°C ... +50°C
Input range	1.5 ... 16 bar (size Y0 max. 12 bar)
Mounting	vertically, drain at bottom
Medium	compressed air according to ISO 8573-1:2010, neutral gases
Materials	Body: Grivory (PA66) and POM, bowl: PC, seals: NBR, inner parts: zinc coated steel, stainless steel and brass

Combination of filter, regulator and lubricator.
Locking: rotary lock and padlock possible.



Order code

FROY-***-**-5-***1	
Series	Versions
Connection / Size	Digit 1 Bowl
04 * G1/4 / Y0	1 PC with PA-guard
14 G1/4 / Y1	3 metal bowl with sight glass
37 G3/8 / Y1	Digit 2 Drain
38 G3/8 / Y2	2 semi-automatic (standard)
12 G1/2 / Y2	3 automatic, NO (open at 0 bar input pressure)
34 G3/4 / Y3	4 automatic, NC (closed at 0 bar input pressure)
10 G1 / Y3	Digit 3 Gauge, flow direction
Output range	0 without gauge, flow from left to right
04 0.2 ... 4 bar	1 without gauge, flow from right to left
08 0.5 ... 8 bar	2 with gauge, flow from left to right (standard)
10 0.5 ... 10 bar (standard)	3 with gauge, flow from right to left
Filter element	
5 5 µm	

* FROY-04 only with integrated gauge and flow from left to right available.

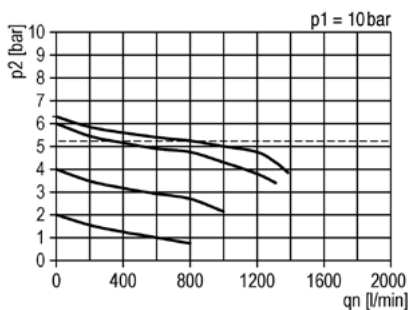
Two piece air service unit FROY

Technical data

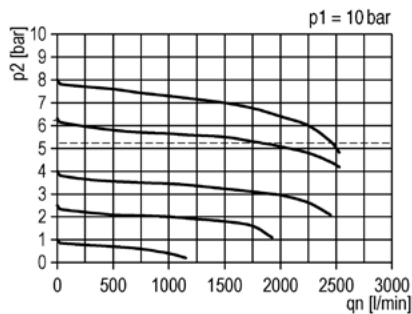
Model-no.:	FROY-04-...	FROY-14-...	FROY-37-...	FROY-38-...	FROY-12-...	FROY-34-...	FROY-10-...
Connection	G1/4	G1/4	G3/8	G3/8	G1/2	G3/4	G1
Size	Y0	Y1	Y1	Y2	Y2	Y3	Y3
Flow (NI/min)	600	1800	1800	3500	3500	12000	12000
Lubricator operating limit (NI/min)	30	100	100	70	70	115	115
Internal air consumption	-	-	-	-	-	max. 1.5 l/min	max. 1.5 l/min
Bowl volume (cm ³)	16	28	28	49	49	87	87
Bowl volume lubricator (cm ³)	35	40	40	80	80	181	181
Weight (kg)	0.39	0.67	0.65	1.09	1.06	2.27	2.13

Flow characteristic

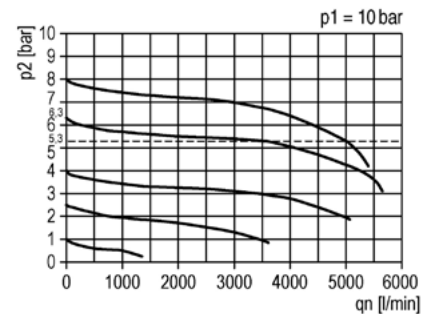
FROY-04



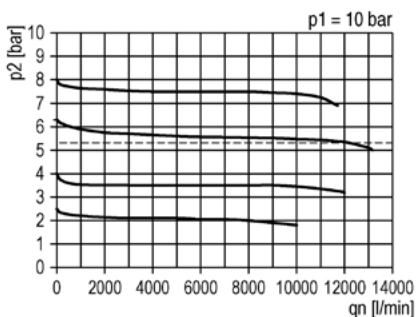
FROY-14, FROY-37



FROY-38, FROY-12



FROY-34, FROY-10

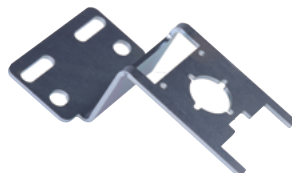


Accessories

Mounting brackets WYL



Mounting brackets WYP



Coupling kits for wall mounting KPY-W



Coupling kits KPY-K



Mounting nut RMY

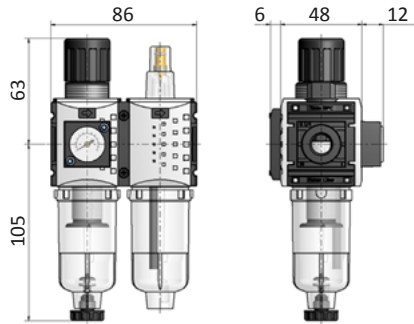


Details: see page 04

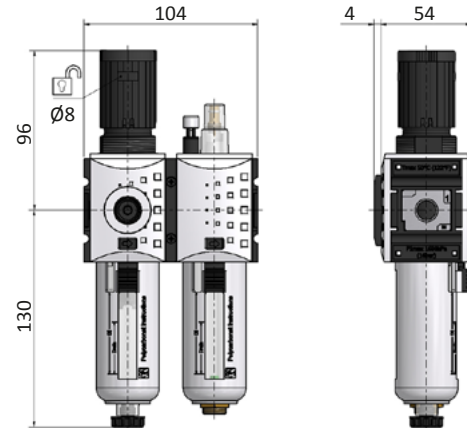
Two piece air service unit FROY

Dimensions

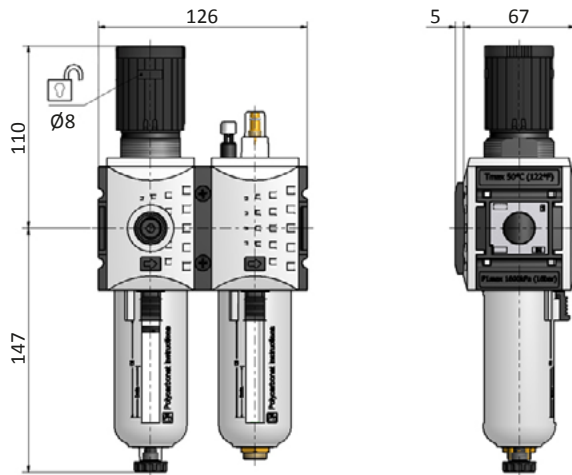
Size Y0



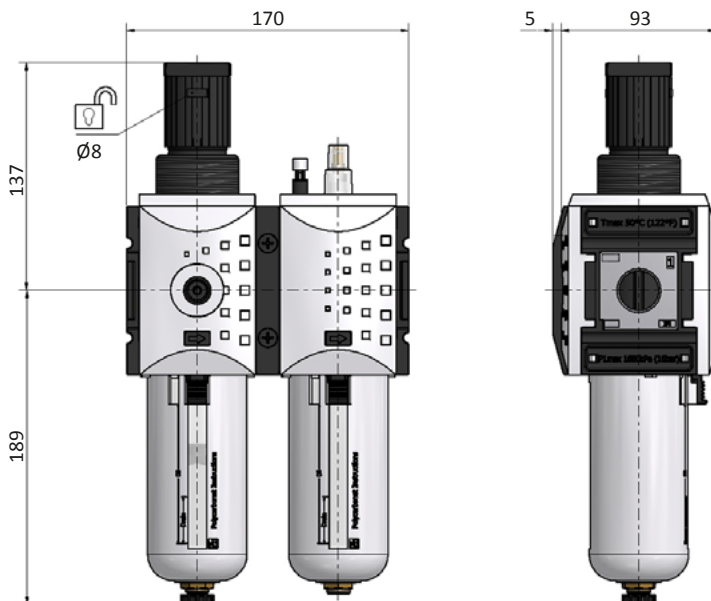
Size Y1



Size Y2



Size Y3



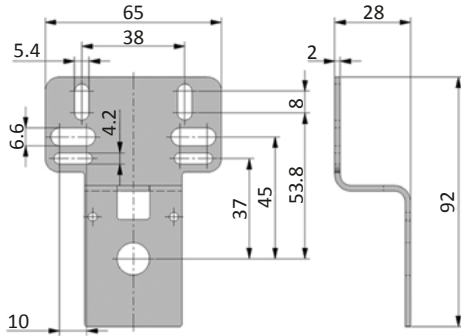
Fastening elements

Bracket kit WYP

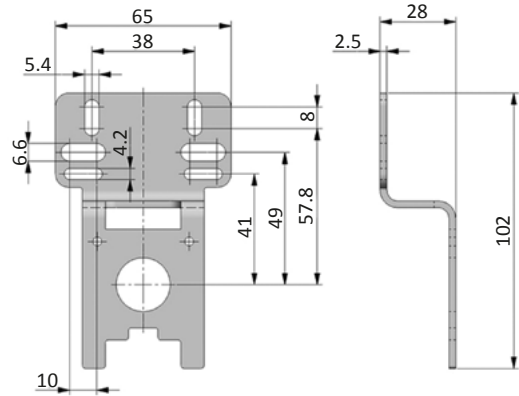
Bracket kit made of zinc coated steel.

The bracket can be mounted at the rear side after removing the rear cover of the unit. The 2 mounting screws are included.

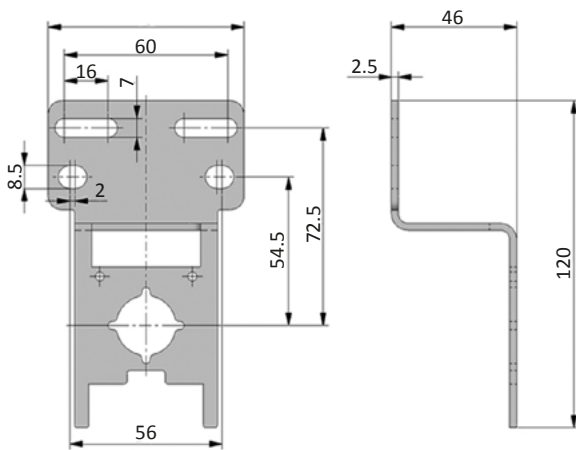
WYP-00



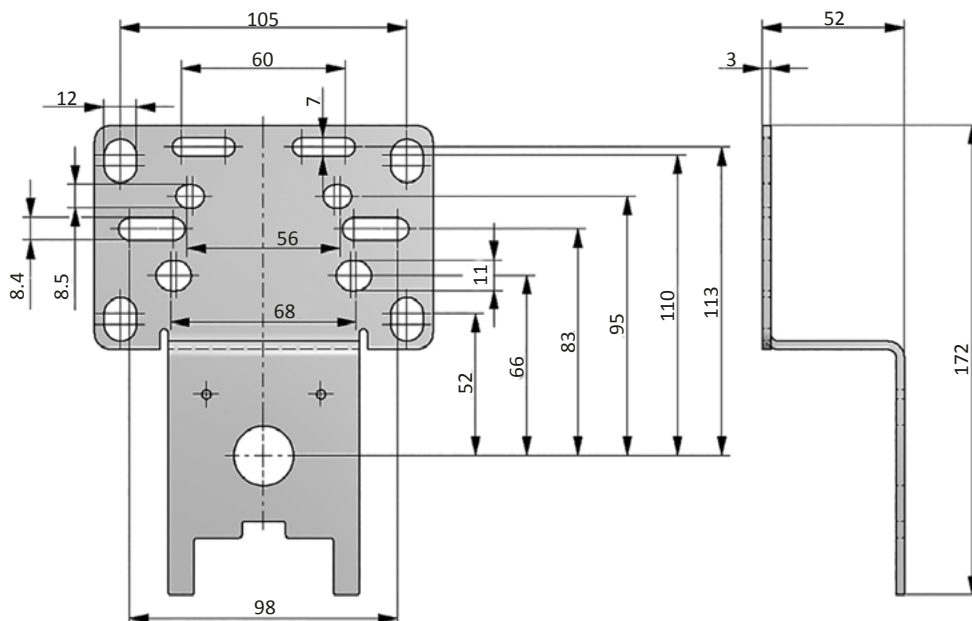
WYP-01



WYP-02

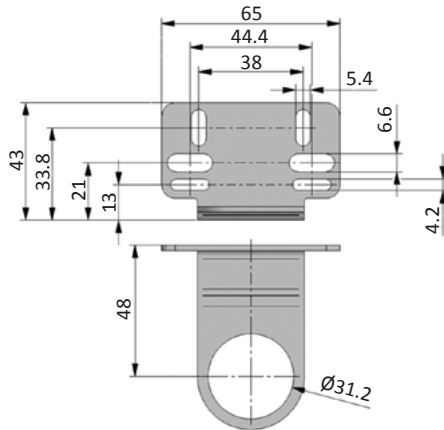
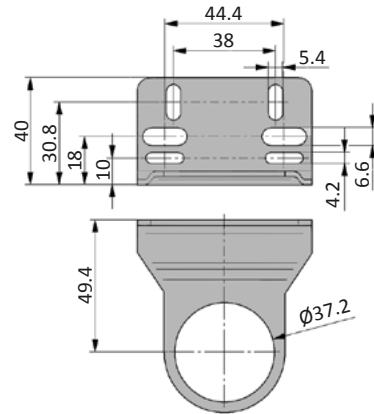
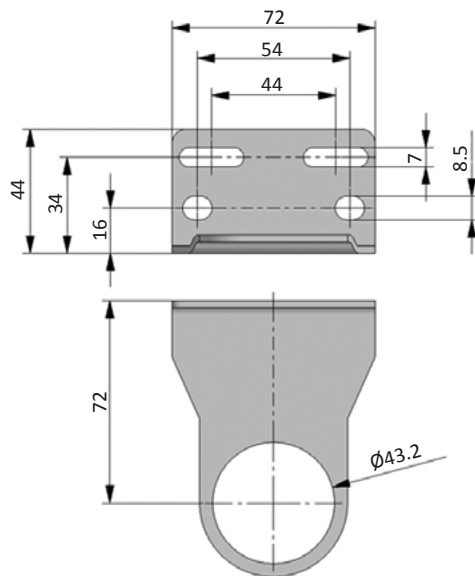


WYP-03



Mounting brackets WYL

Mounting brackets made of zinc coated steel. Assembling with mounting nut (not included).

WYL-00

WYL-01

WYL-02


Coupling kits

Coupling kits KPY

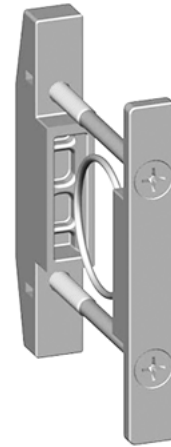
KPY-00, KPY-01



KPY-02

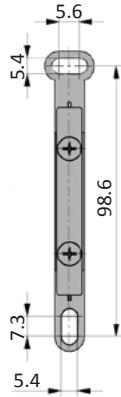
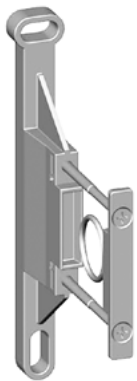


KPY-03

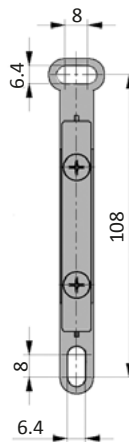
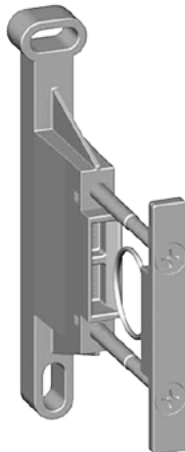


Coupling kits for wall mounting KPY-W

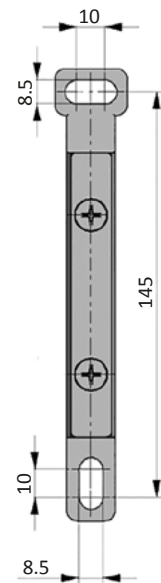
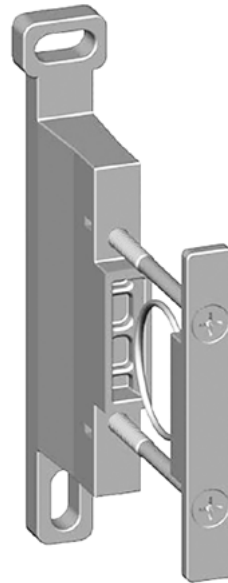
KPY-00-W, KPY-01-W



KPY-02-W



KPY-03-W



Technical details

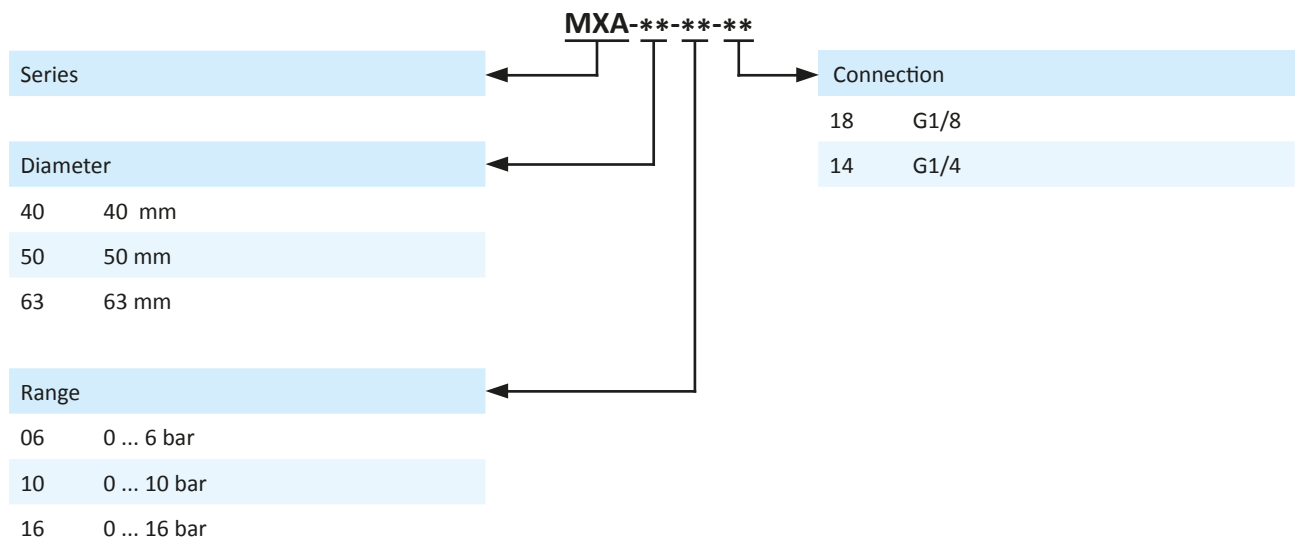
Temperature range	-20°C ... +60°C
Accuracy class	2.5 according to EN 837-1
Application	Constant load: 3/4 x scale value Alternating load: 2/3 x scale value
Materials	Body: ABS, black Window: plastic, clear, clipped-on Dial: plastic, white with stop pin Scale black (psi) and blue (bar)
Temperature drift	± 0.4% / 10 K if deviation from normal temperature (+ 20°C)



Bourdon tube pressure gauge (EN 837-1), pressure connection rear.



Order code



Technical data

Model-no.:	MXA-50-06-14		MXA-50-10-14		MXA-50-16-14	
Connection	G1/4		G1/4		G1/4	
Standard for series	-		-		X1. X2. Y1. Y2	
Range	0 ... 6 bar		0 ... 10 bar		0 ... 16 bar	
Weight (kg)	0.071		0.071		0.071	

Model-no.:	MXA-40-06-18	MXA-40-10-18	MXA-40-16-18	MXA-63-06-14	MXA-63-10-14	MXA-63-16-14
Connection	G1/8	G1/8	G1/8	G1/4	G1/4	G1/4
Standard for series	-	-	K. RD	-	-	Y3
Range	0 ... 6 bar	0 ... 10 bar	0 ... 16 bar	0 ... 6 bar	0 ... 10 bar	0 ... 16 bar
Weight (kg)	0.071	0.071	0.071	0.080	0.080	0.080