

# Two piece air service unit FROX

## Technical details

<b>Temperature range</b>	0°C ... +60°C
<b>Input range</b>	1.5 ... 16 bar
<b>Mounting</b>	vertically, drain at bottom
<b>Medium</b>	compressed air according to ISO 8573-1:2010, neutral gases
<b>Materials</b>	Body: zinc diecasting, bowl: PC, seals: NBR, inner parts: zinc coated steel, stainless steel and brass

Combination of filter, regulator and lubricator.  
Locking: rotary lock possible.



## Order code

Series		FROX-**-**-5-****		Versions	
Connection / Size		←		Digit 1	Bowl
14	G1/4 / X1	←		1	PC
37	G3/8 / X1	←		3	metal bowl with sight glass
12	G1/2 / X2	←		4	PC with guard
34	G3/4 / X2	←		Digit 2	Drain
Output range		←		2	<b>semi-automatic (standard)</b>
03	0.2 ... 3 bar	←		3	automatic, NO (open at 0 bar input pressure)
06	0.5 ... 6 bar	←		4	automatic, NC (closed at 0 bar input pressure)
10	<b>0.5 ... 10 bar (standard)</b>	←		Digit 3	Gauge, flow direction
Filter element		←		0	without gauge, flow from left to right
5	5 μm	←		1	without gauge, flow from right to left
				2	<b>with gauge, flow from left to right (standard)</b>
				3	with gauge, flow from right to left
				Digit 4	
				1	standard
				2	key lockable

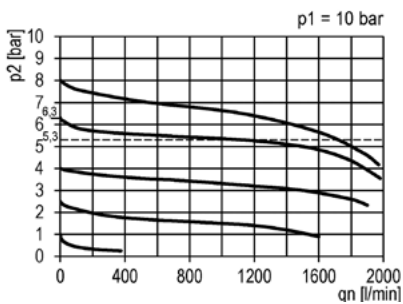
## Two piece air service unit FROX

### Technical data

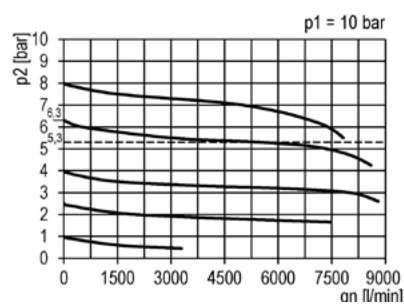
Model-no.:	FROX-14-...	FROX-37-...	FROX-12-...	FROX-34-...
Connection	G1/4	G3/8	G1/2	G3/4
Size	X1	X1	X2	X2
Flow (NI/min)	1200	1200	5250	5250
Lubricator operating limit (NI/min)	75	75	170	170
Bowl volume (cm <sup>3</sup> )	25	25	50	50
Bowl volume lubricator (cm <sup>3</sup> )	50	50	125	125
Weight (kg)	0.69	0.67	1.68	1.60

### Flow characteristic

FROX-14, FROX-37



FROX-12, FROX-34



### Accessories

Mounting brackets WK



Mounting brackets WX



Coupling kits KPX



Mounting nut RM

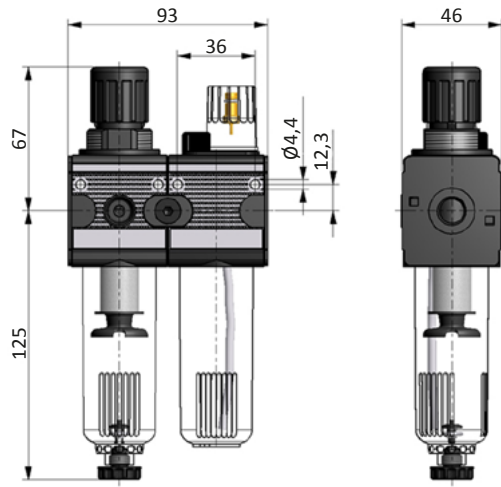


Details: see page 04

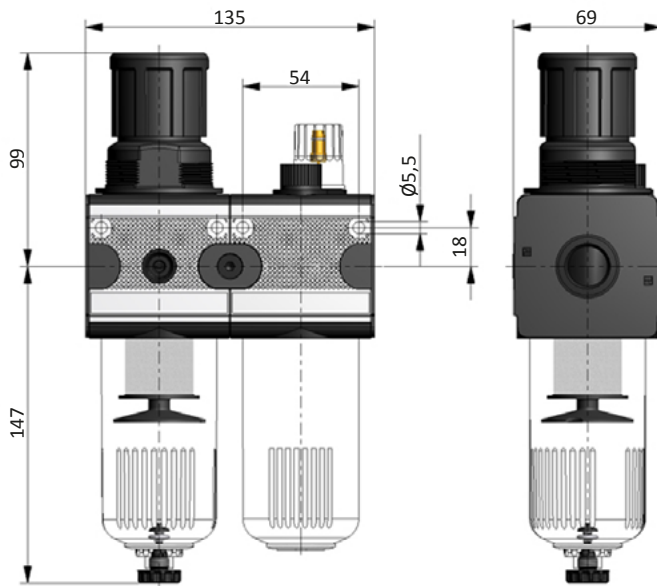
# Two piece air service unit FROX

## Dimensions

### Size X1



### Size X2

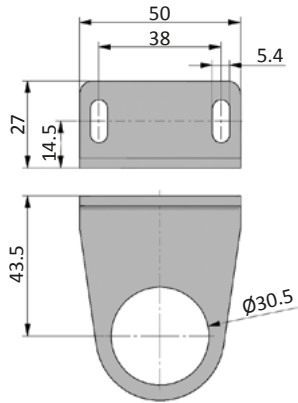


## Fastening elements

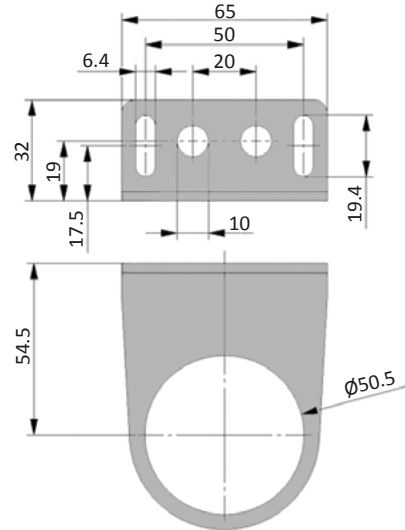
### Mounting brackets WK

Mounting brackets made of zinc coated steel. Assembling with mounting nut (not included).

#### WK-30



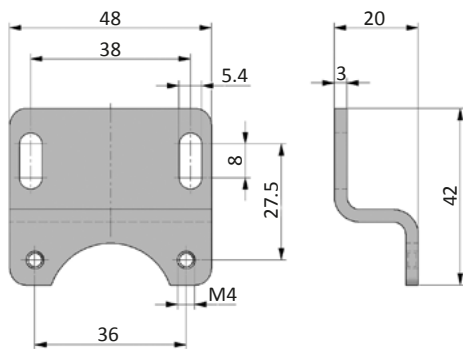
#### WK-50



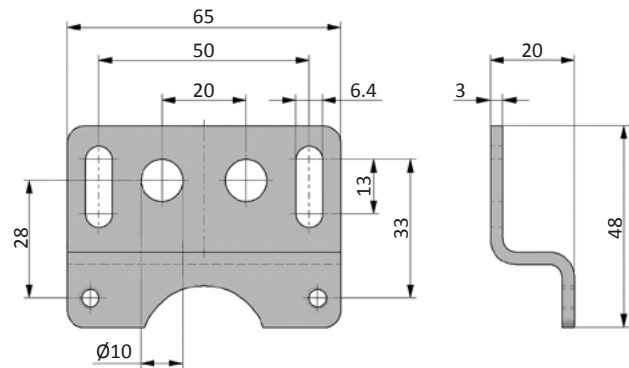
### Mounting brackets WX

Mounting brackets made of zinc coated steel.

#### WX-11

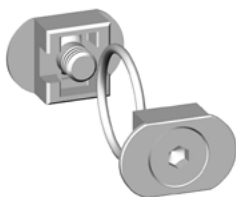


#### WX-33

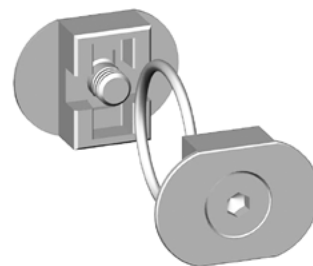


### Coupling kits KPX

#### KPX-11



#### KPX-33



## Technical details

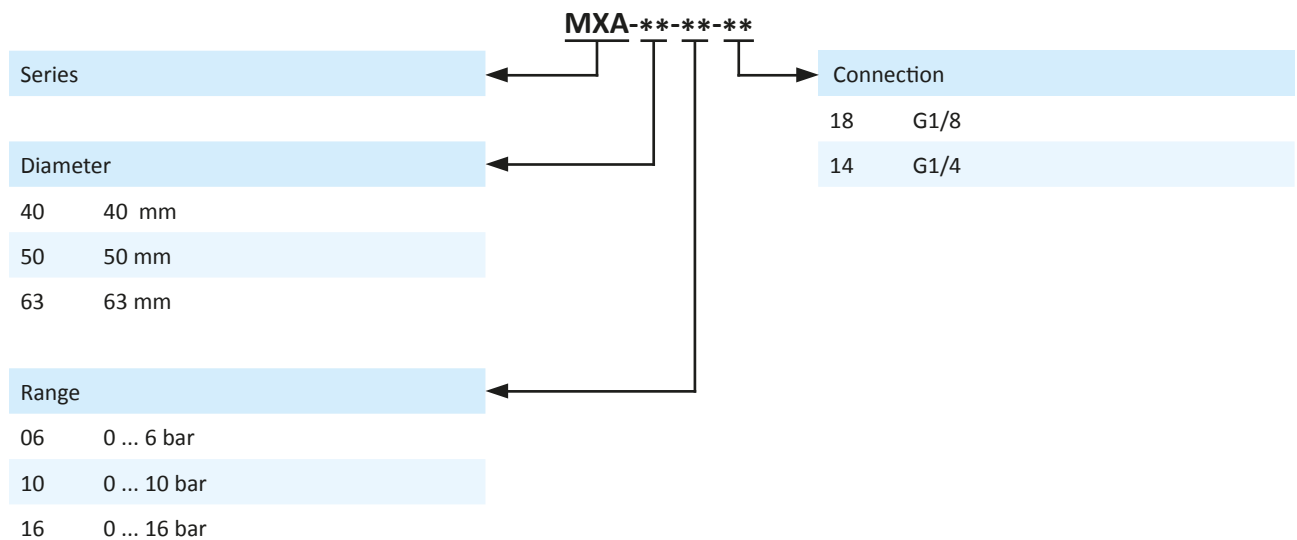
<b>Temperature range</b>	-20°C ... +60°C
<b>Accuracy class</b>	2.5 according to EN 837-1
<b>Application</b>	Constant load: 3/4 x scale value Alternating load: 2/3 x scale value
<b>Materials</b>	Body: ABS, black Window: plastic, clear, clipped-on Dial: plastic, white with stop pin Scale black (psi) and blue (bar)
<b>Temperature drift</b>	± 0.4% / 10 K if deviation from normal temperature (+ 20°C)



Bourdon tube pressure gauge (EN 837-1), pressure connection rear.



## Order code



## Technical data

Model-no.:	MXA-50-06-14		MXA-50-10-14		MXA-50-16-14	
<b>Connection</b>	G1/4		G1/4		G1/4	
<b>Standard for series</b>	-		-		X1. X2. Y1. Y2	
<b>Range</b>	0 ... 6 bar		0 ... 10 bar		0 ... 16 bar	
<b>Weight (kg)</b>	0.071		0.071		0.071	

Model-no.:	MXA-40-06-18	MXA-40-10-18	MXA-40-16-18	MXA-63-06-14	MXA-63-10-14	MXA-63-16-14
<b>Connection</b>	G1/8	G1/8	G1/8	G1/4	G1/4	G1/4
<b>Standard for series</b>	-	-	K. RD	-	-	Y3
<b>Range</b>	0 ... 6 bar	0 ... 10 bar	0 ... 16 bar	0 ... 6 bar	0 ... 10 bar	0 ... 16 bar
<b>Weight (kg)</b>	0.071	0.071	0.071	0.080	0.080	0.080