

Two piece air service unit FROK

Technical details

Temperature range	0°C ... +60°C
Input range	1.5 ... 16 bar
Mounting	vertically, Drain at bottom
Medium	compressed air according to ISO 8573-1:2010, neutral gases
Materials	Body: zinc diecasting, bowl: PC, seals: NBR, inner parts: zinc coated steel, stainless steel and brass

Combination of filter, regulator and lubricator.
Locking: rotary lock possible.



Order code

Series		FROK-**-**-5-****		Versions	
Connection		Digit 1	Bowl		
18	G1/8	1	PC		
14	G1/4	2	metal		
		4	PC with guard		
Output range		Digit 2	Drain		
03	0.1 ... 3 bar	2	semi-automatic (standard)		
06	0.2 ... 6 bar	3	automatic, NO (open at 0 bar input pressure)		
10	0.5 ... 10 bar (standard)	4	automatic, NC (closed at 0 bar input pressure)		
Filter element		Digit 3	Gauge, flow direction		
5	5 µm	0	without gauge, flow from left to right		
		1	without gauge, flow from right to left		
		2	with gauge, flow from left to right (standard)		
		3	with gauge, flow from right to left		
		Digit 4			
		1	standard		
		2	key lockable		

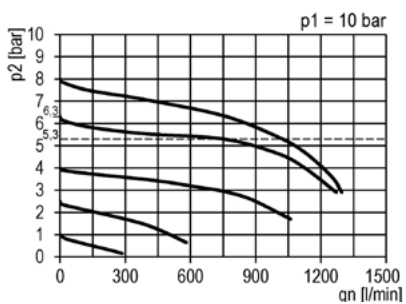
Two piece air service unit FROK

Technical data

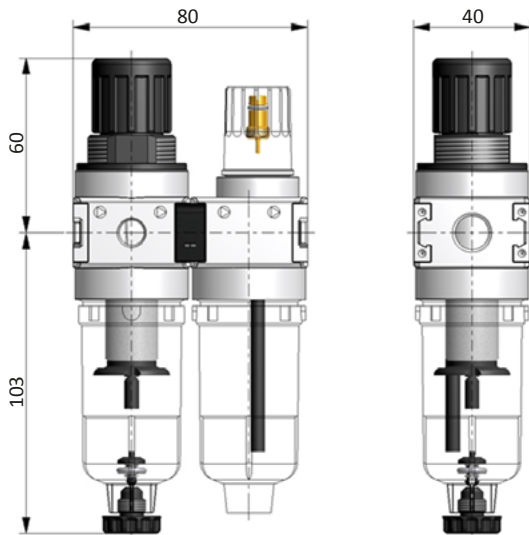
Model-no.:	FROK-18-...	FROK-14-...
Connection	G1/8	G1/4
Flow (NI/min)	750	750
Lubricator operating limit (NI/min)	28	28
Bowl volume (cm ³)	16	16
Bowl volume lubricator (cm ³)	35	35
Weight (kg)	0.55	0.53

Flow characteristic

FROK-18, FROK-14

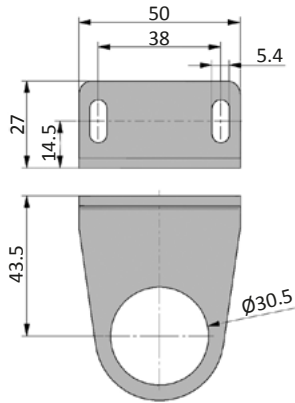


Dimensions

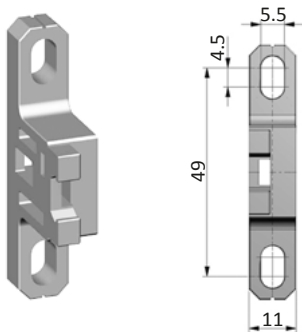


Mounting bracket WK

Mounting bracket made of zinc coated steel. Assembling with mounting nut (not included).

WK-30

Mounting bracket WK-00

Mounting bracket (set of two pieces) made of PA 66. Mounting only sidewise possible.

WK-00

Coupling kit KPK
KPK-00


Gauge MXA

Technical details

Temperature range	-20°C ... +60°C
Accuracy class	2.5 according to EN 837-1
Application	Constant load: 3/4 x scale value Alternating load: 2/3 x scale value
Materials	Body: ABS, black Window: plastic, clear, clipped-on Dial: plastic, white with stop pin Scale black (psi) and blue (bar)
Temperature drift	± 0.4% / 10 K if deviation from normal temperature (+ 20°C)



Bourdon tube pressure gauge (EN 837-1), pressure connection rear.



Order code

Series		Connection	
40	40 mm	18	G1/8
50	50 mm	14	G1/4
63	63 mm		
Range			
06	0 ... 6 bar		
10	0 ... 10 bar		
16	0 ... 16 bar		

MXA-*-***-*****

Technical data

Model-no.:	MXA-50-06-14		MXA-50-10-14		MXA-50-16-14	
Connection	G1/4		G1/4		G1/4	
Standard for series	-		-		X1. X2. Y1. Y2	
Range	0 ... 6 bar		0 ... 10 bar		0 ... 16 bar	
Weight (kg)	0.071		0.071		0.071	

Model-no.:	MXA-40-06-18	MXA-40-10-18	MXA-40-16-18	MXA-63-06-14	MXA-63-10-14	MXA-63-16-14
Connection	G1/8	G1/8	G1/8	G1/4	G1/4	G1/4
Standard for series	-	-	K. RD	-	-	Y3
Range	0 ... 6 bar	0 ... 10 bar	0 ... 16 bar	0 ... 6 bar	0 ... 10 bar	0 ... 16 bar
Weight (kg)	0.071	0.071	0.071	0.080	0.080	0.080