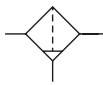
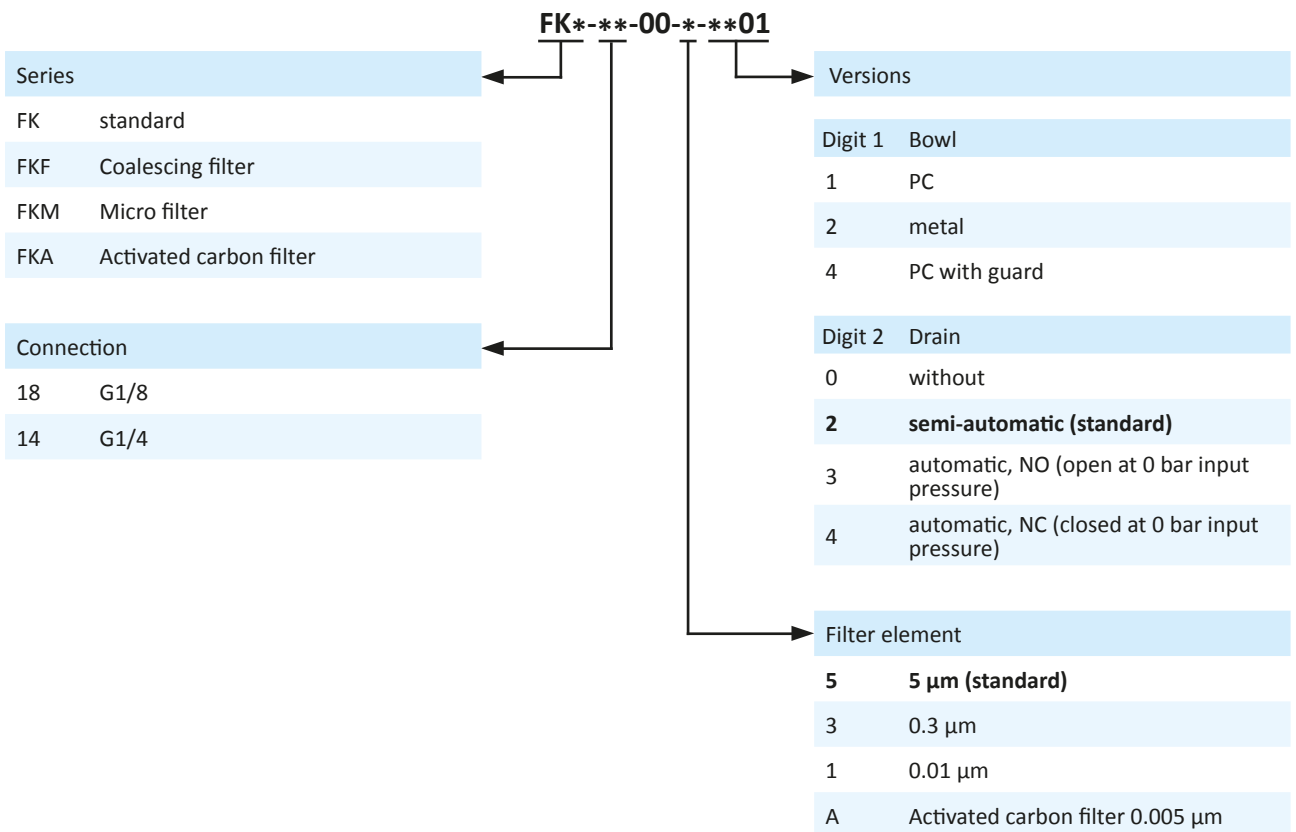


Technical details

Temperature range	0°C ... +60°C
Input range	1.5 ... 16 bar
Mounting	vertically, drain at bottom
Medium	compressed air according to ISO 8573-1:2010, neutral gases
Materials	Body: zinc diecasting, bowl: PC, seals: NBR, inner parts: POM

Sintered filter according to the centrifugal force principle.


Order code


Filter FK

Technical data

Model-no.:	FK-18	FK-14	FKF-18	FKF-14
Connection	G1/8	G1/4	G1/8	G1/4
Flow (NI/min)	1000*	1000*	350**	600**
Bowl volume (cm ³)	16	16	16	16
Weight (kg)	0.25	0.24	0.26	0.25

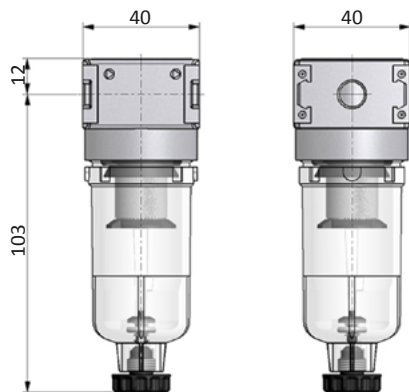
* Measured at p1 = 6 bar and $\Delta p = 1$ bar ** Measured at p1 = 6 bar and $\Delta p = 0.2$ bar

Model-no.:	FKM-18	FKM-14	FKA-18	FKA-14
Connection	G1/8	G1/4	G1/8	G1/4
Flow (NI/min)	230*	450*	310**	380**
Bowl volume (cm ³)	16	16	-	-
Weight (kg)	0.26	0.25	0.26	0.27

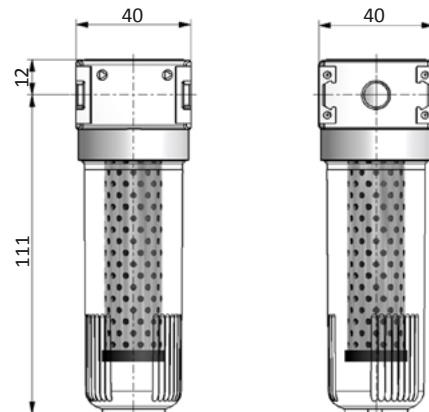
* Measured at p1 = 6 bar and $\Delta p = 0.1$ bar ** Measured at p1 = 6 bar and $\Delta p = 0.2$ bar

Dimensions

FK, FKF, FKM

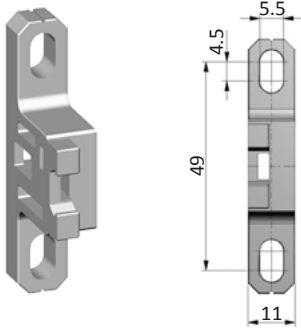


FKA



Mounting bracket WK-00

Mounting bracket (set of two pieces) made of PA 66. Mounting only sidewise possible.

WK-00**Coupling kit KPK****KPK-00**