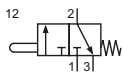


Technical details

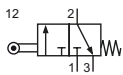
Connection	G1/8
Nominal size	4 mm
Temperature range	-10°C ... +70°C
Medium	Filtered, oil-free and dried compressed air according to ISO 8573-1:2010, Class 7:2:4, instrument air, free of aggressive additives. Alternatively the pressure dew point must be at least 10°C below lowest occurring ambient temperature.
Materials	Body: Al (anodized), seals: NBR, inner parts: Al, stainless steel and brass, stem, lever: stainless steel, roller: plastic



Mechanically operated seat valve.

3/2-way-Valves


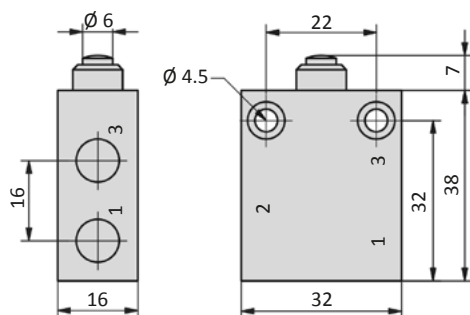
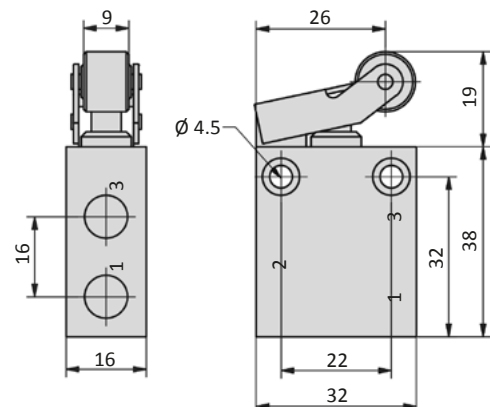
E-28-310
3/2-way, mechanical spring return, stem operated



ER-28-310
3/2-way, mechanical spring return, roller operated

Technical data

Model-no.:	E-28-310	ER-28-310
Operating pressure (bar)	0 ... 12 bar	0 ... 12 bar
Flow rate (NI/min)	210	210
Actuating force at 6 bar (N)	16	9
Pre-stroke (mm)	1	2
Actuation stroke (mm)	1	1
Pre actuation stroke (mm)	2	2
Weight (kg)	0.053	0.063

Dimensions
E-28-310

ER-28-310


- 1 = pressure inlet
- 2 = outlets
- 3 = exhausts