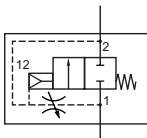


Technical details

Temperature range	0°C ... +60°C
Input range	2.5 ... 16 bar
Mounting	arbitrary
Medium	compressed air according to ISO 8573-1:2010, neutral gases
Materials	Body: zinc diecasting, seals: NBR, inner parts: plastic, stainless steel and brass



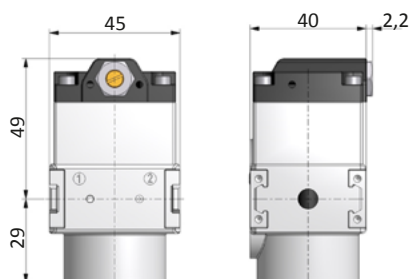
Poppet valve, operated by secondary pressure
The filling time is adjustable.


Order code

Series	DAK-**-00-0-0001
Connection	
14 G1/4	

Technical data

Model-no.:	DAK-14-...
Connection	G1/4
Flow	2250
Weight (kg)	0.42

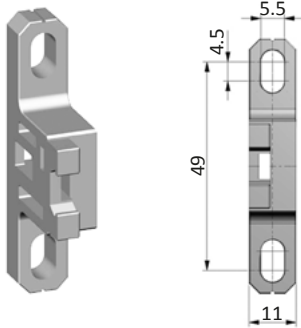
Dimensions


Fastening elements

Mounting bracket WK-00

Mounting bracket (set of two pieces) made of PA 66. Mounting only sidewise possible.

WK-00



Coupling kit KPK

KPK-00

