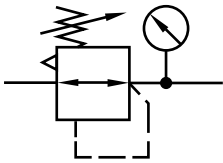


# Pressure regulator 90-RC

## Technical details

<b>Temperature range</b>	-10°C ... +60°C
<b>Input range</b>	max. 16 bar
<b>Mounting</b>	arbitrary
<b>Medium</b>	compressed air according to ISO 8573-1:2010, neutral gases
<b>Materials</b>	Body: zinc diecasting, bowl: PC, seals: NBR, inner parts: zinc coated steel, stainless steel and brass

Pressure regulator with diaphragm and relieving feature. Mounting brackets are included.

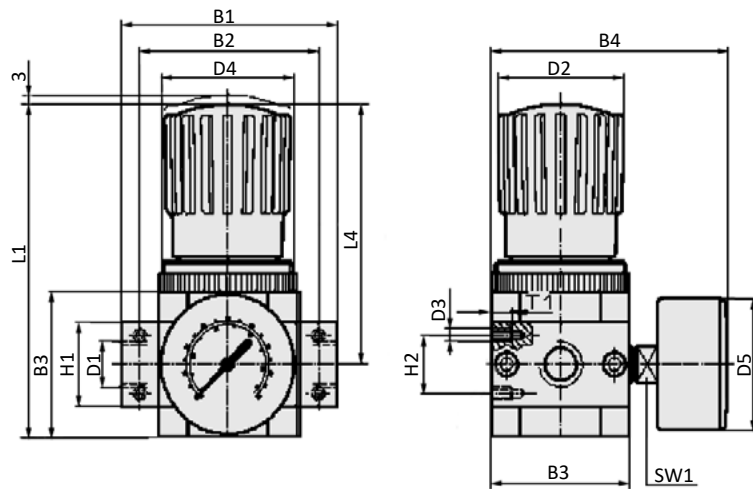


## Order code

90-RC-***-***-*		Series	Versions
		Series	Gauge, flow direction
		Connection / Size	0 without gauge, flow from left to right
18	G1/8 / 01		1 without gauge, flow from right to left
14	G1/4 / 01		2 <b>with gauge, flow from left to right (standard)</b>
37	G3/8 / 01		3 with gauge, flow from right to left
38	G3/8 / 02		
12	G1/2 / 02		
33	G3/4 / 02		
34	G3/4 / 03		
10	G1 / 03		
		Output range	
07	0,5 ... 7 bar		
12	0,5 ... 12 bar		

# Pressure regulator 90-RC

## Dimensions



90-RC-**	B1	B2	B3	B4	D1	ØD2	D3	D4
18	104	92	40	76	G1/8	31	M4	M36 x 1,5
14	104	92	40	76	G1/4	31	M4	M36 x 1,5
37	110	92	40	76	G3/8	31	M4	M36 x 1,5
38	140	125	55	95	G3/8	50	M5	M52 x 1,5
12	140	125	55	95	G1/2	50	M5	M52 x 1,5
33	140	125	55	95	G3/4	50	M5	M52 x 1,5
34	162	146	66	107	G3/4	52	M5	M52 x 1,5
10	182	157	66	107	G1	52	M5	M52 x 1,5

90-RC-**	ØD5	H1	H2	L1	L4	T1	SW1
18	41	20	11	193	69	7	14
14	41	20	11	193	69	7	14
37	41	29	11	193	69	7	14
38	50	32	22	250	99	8	14
12	50	32	22	250	99	8	14
33	50	32	22	250	99	8	14
34	50	32	22	252	102	8	14
10	50	32	22	252	102	8	14