

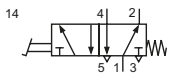
**Technical details**

<b>Connection</b>	G1/4
<b>Nominal size (mm)</b>	9
<b>Temperature range</b>	0°C ... +60°C
<b>Medium</b>	Filtered, oil-free and dried compressed air according to ISO 8573-1:2010, Class 7:2:4, instrument air, free of aggressive additives. Alternatively the pressure dew point must be at least 10°C below lowest occurring ambient temperature.
<b>Materials</b>	Body: Al (anodized), seals: NBR , inner parts: Al, steel

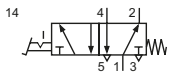


Foot pedal operated pool valve.

**5/2-way-Valves**



84-4FF-511-14-H  
5/2-way, pedal, mechanical spring return

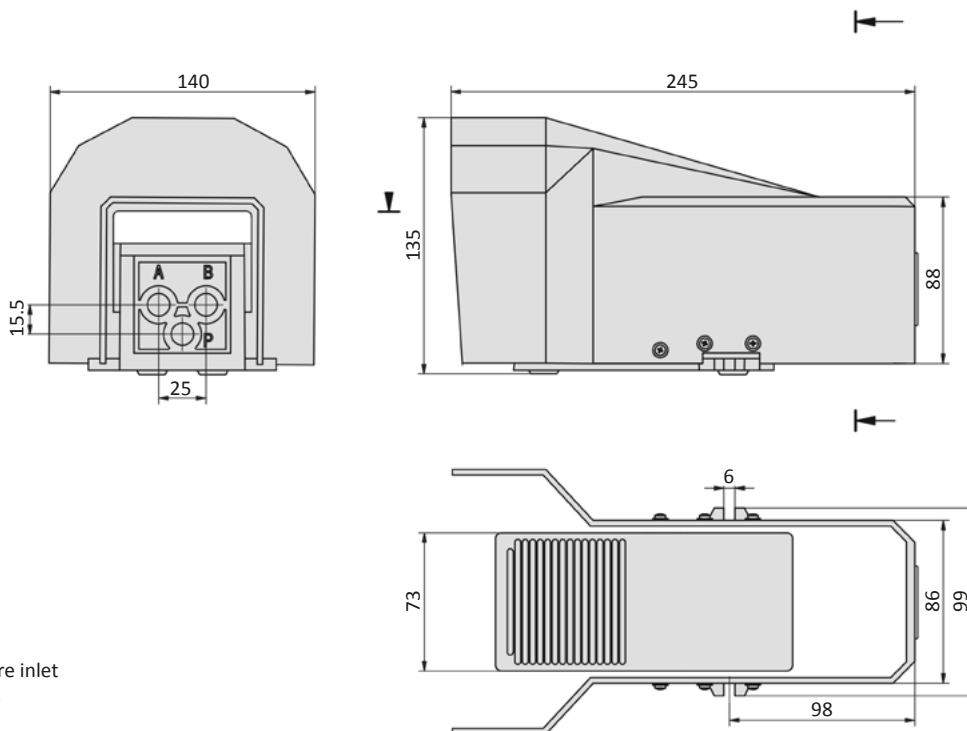


84-4FR-520-14-H  
5/2-way, two positions, pedal, detent

**Technical data**

Model-no.:	84-4FF-511-14-H	84-4FR-520-14-H
<b>Operating pressure (bar)</b>	0 ... 8 bar	0 ... 8 bar
<b>Flow rate (NI/min)</b>	530	530
<b>Weight (kg)</b>	0.900	0.900

**Dimensions**



P = pressure inlet  
A,B = outlets