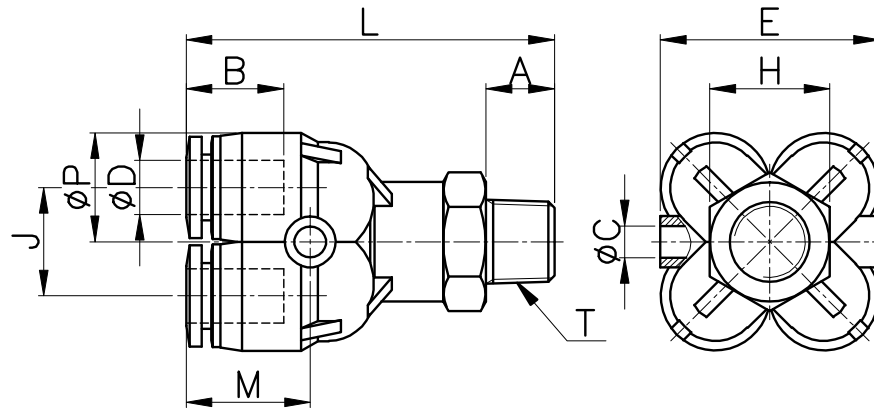


PXT



MODEL	ϕD	ϕP	T	L	E	J	ϕC	A	B	M	H (Hex)	ORIFICE	WEIGHT (g)	BOX(EA)
PXT04-01	4	10.5	R 1/8	41.7	21.2	10.6	3.3	8.0	15.3	13.9	10	4.0	19.0	50
PXT04-02			R 1/4	44.7				10.0			14		23.0	50
PXT06-01	6	12.8	R 1/8	43.0	25.6	12.7	3.3	8.0	16.4	15.5	12	6.0	24.0	25
PXT06-02			R 1/4	46.0				10.0			14		30.0	25