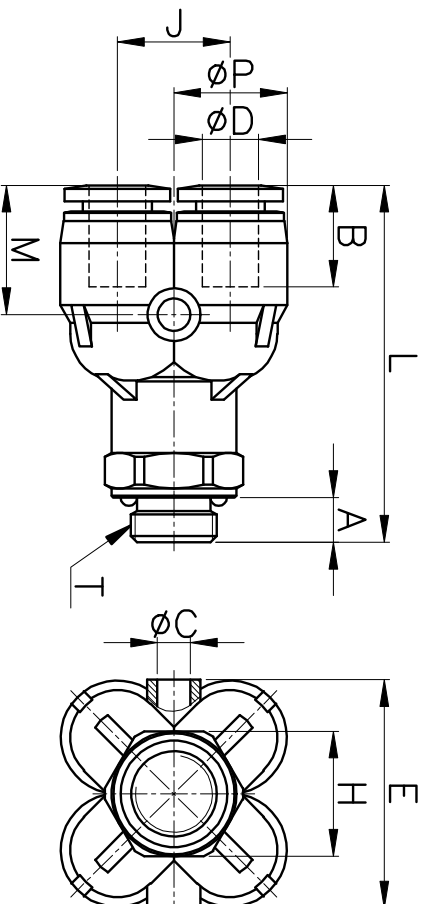


PXT-G



MODEL	ϕD	ϕP	T	L	E	J	ϕC	A	B	H ^H (Hex)	ORIFICE	WEIGHT (g)	BOX(EA)
PXT 04-G01	4	10.5	G 1/8	38.7	21.2	10.6	3.3	5.0	15.3	14	4.0	19.0	50
			G 1/4	40.7				6.5		17		23.0	
PXT 06-G01	6	12.8	G 1/8	40.0	25.6	12.7	3.3	5.0	16.4	14	6.0	24.0	25
G 1/4			42.0	6.5				17		30.0			