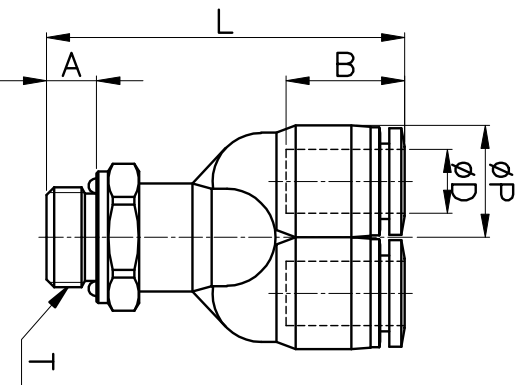
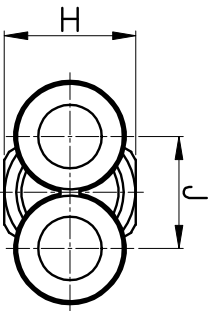


PWT-G



MODEL	ϕD	ϕP	T	L	J	A	B	H (Hex)	ORIFICE	WEIGHT (g)	BOX(EA)
PWT 04-G01	4	10.5	G 1/8	40.4	10.5	5.0	15.5	14	3.0	14.0	100
PWT 04-G02			G 1/4	42.4		6.5		17		18.0	100
PWT 04-G03			G 3/8	41.9		6.5		20		23.0	50
PWT 06-G01	6	12.5	G 1/8	41.4	12.5	5.0	16.9	14	4.0	19.0	50
PWT 06-G02			G 1/4	43.4		6.5		17		21.0	50
PWT 06-G03			G 3/8	42.9		6.5		20		26.0	50
PWT 06-G04			G 1/2	44.4		8.0		24		40.0	25
PWT 08-G01	8	14.5	G 1/8	44.4	14.5	5.0	18.6	14	6.0	20.0	50
PWT 08-G02			G 1/4	46.4		6.5		17		25.0	50
PWT 08-G03			G 3/8	45.9		6.5		20		31.0	50
PWT 08-G04			G 1/2	47.4		8.0		24		43.0	25
PWT 10-G01	10	17.6	G 1/8	48.3	17.6	5.0	20.3	17	8.0	33.0	25
PWT 10-G02			G 1/4	50.3		6.5		17		32.0	25
PWT 10-G03			G 3/8	49.8		6.5		20		38.0	25
PWT 10-G04			G 1/2	51.3		8.0		24		45.0	25
PWT 12-G02	12	21.0	G 1/4	55.2	21.0	6.5	22.7	19	8.0	47.0	25
PWT 12-G03			G 3/8	54.7		6.5		20		47.0	25
PWT 12-G04			G 1/2	56.2		8.0		24		66.0	25