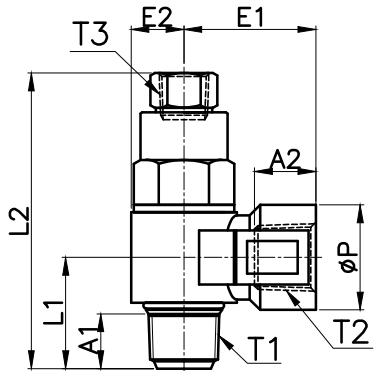
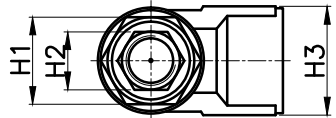


# PVSF



MODEL	$\phi P$	T1	A1	T2	A2	T3	L1	L2	E1	E2	H1 (Hex)	H2 (Hex)	H3	WEIGHT (g)	BOX(EA)
PVSF 01	14.5	R 1/8	7.6	Rc 1/8	10.0	M5	15.4	40.8	18.2	7.3	12	8	15	34.5	-
PVSF 02	18.0	R 1/4	10.6	Rc 1/4	13.0	Rc 1/8	21.1	48.9	26.5	9.5	17	12	19	74.6	-
PVSF 03	23.0	R 3/8	12.6	Rc 3/8	14.5	Rc 1/8	24.8	56.7	30.8	11.6	20	12	24	123.4	-
PVSF 04	26.5	R 1/2	14.5	Rc 1/2	19.0	Rc 1/4	31.0	70.6	38.7	14.0	24	17	28	207.2	-