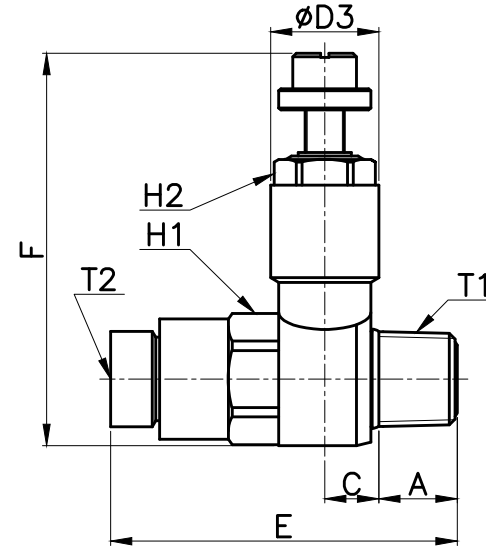
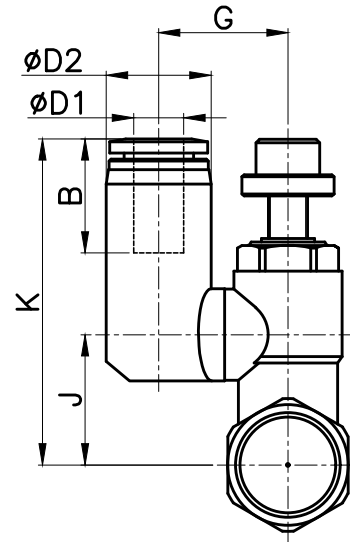


PVSC



MODEL	ϕD	A	T1	T2	B	$\phi D1$	$\phi D2$	$\phi D3$	C	E	F		G	J	K	H1 (Hex)	H2 (Hex)	WEIGHT (g)
											MIN	MAX						
PVSC 06-01	6	8.0	R 1/8	M5	17.0	6.0	12.6	12.1	8.0	35.4	43.6	48.4	16.1	14.9	38.9	12	10	30.4
PVSC 06-02	6	10.5	R 1/4	R 1/8	17.0	6.0	12.6	15.4	7.6	42.0	55.4	60.4	19.4	18.4	44.3	17	13	63.5
PVSC 08-01	8	8.0	R 1/8	M5	19.1	8.0	14.9	12.1	8.0	35.4	43.6	48.4	17.3	14.9	39.8	12	10	33.6
PVSC 08-02	8	10.5	R 1/4	R 1/8	19.1	8.0	14.9	15.4	7.6	42.0	55.4	60.4	18.4	18.4	46.7	17	13	66.3
PVSC 08-03	8	11.4	R 3/8	R 1/8	19.1	8.0	15.1	20.3	9.6	49.7	58.4	63.4	23.4	21.4	50.7	19	17	101.3
PVSC 10-02	10	10.5	R 1/4	R 1/8	20.2	10.0	17.6	15.4	7.6	42.0	55.4	60.4	19.2	18.4	49.1	17	13	70.2
PVSC 10-03	10	11.4	R 3/8	R 1/8	20.2	10.0	17.6	20.3	9.6	49.7	58.4	63.4	23.4	21.4	53.0	19	17	105.2
PVSC 10-04	10	14.4	R 1/2	R 1/4	20.2	10.0	17.6	27.3	12.8	59.8	72.0	78.0	26.4	31.3	64.4	24	23	203.3
PVSC 12-03	12	11.4	R 3/8	R 1/8	22.7	12.0	20.6	20.3	9.6	49.7	58.4	63.4	23.4	21.4	54.8	19	17	110.0
PVSC 12-04	12	14.4	R 1/2	R 1/4	22.7	12.0	20.6	27.3	12.8	59.8	72.0	78.0	26.4	31.3	67.2	24	23	235.0