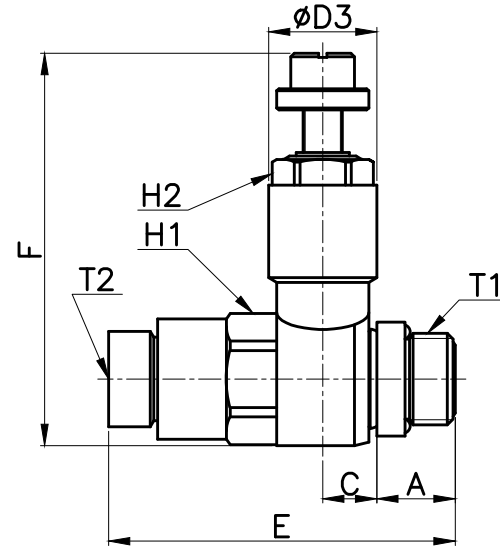
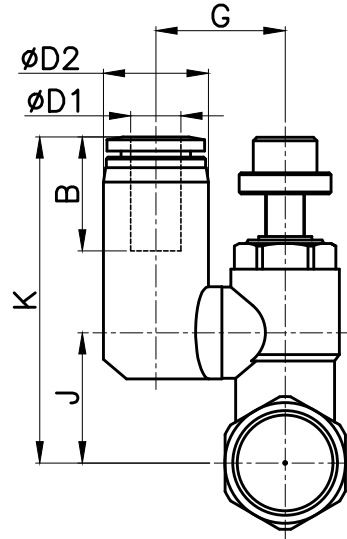


PVSC-G



MODEL	øD	A	T1	T2	B	øD1	øD2	øD3	C	E	F		G	J	K	H1 (Hex)	H2 (Hex)	중량 (g)
											MIN	MAX						
PVSC 06-G01	6	5.0	G 1/8	M5	17.0	6.0	12.6	12.1	11.0	35.4	43.6	48.4	16.1	14.9	38.9	12	10	38.9
PVSC 06-G02	6	6.5	G 1/4	G 1/8	17.0	6.0	12.6	15.4	11.6	42.0	55.4	60.4	19.4	18.4	44.3	17	13	75.7
PVSC 08-G01	8	5.0	G 1/8	M5	19.1	8.0	14.9	12.1	11.0	35.4	43.6	48.4	17.3	14.9	39.8	12	10	40.7
PVSC 08-G02	8	6.5	G 1/4	G 1/8	19.1	8.0	14.9	15.4	11.6	42.0	55.4	60.4	18.4	18.4	46.7	17	13	77.6
PVSC 08-G03	8	7.0	G 3/8	G 1/8	19.1	8.0	15.1	20.3	14.0	49.7	58.4	63.4	23.4	21.4	50.7	19	17	129.3
PVSC 10-G02	10	6.5	G 1/4	G 1/8	20.2	10.0	17.6	15.4	11.6	42.0	55.4	60.4	19.2	18.4	49.1	17	13	-
PVSC 10-G03	10	7.0	G 3/8	G 1/8	20.2	10.0	17.6	20.3	14.0	49.7	58.4	63.4	23.4	21.4	53.0	19	17	131.2
PVSC 10-G04	10	8.5	G 1/2	G 1/4	20.2	10.0	17.6	27.3	18.7	59.8	72.0	78.0	26.4	31.3	64.4	24	23	240.6
PVSC 12-G03	12	7.0	G 3/8	G 1/8	22.7	12.0	20.6	20.3	14.0	49.7	58.4	63.4	23.4	21.4	54.8	19	17	135.0
PVSC 12-G04	12	8.5	G 1/2	G 1/4	22.7	12.0	20.6	27.3	18.7	59.8	72.0	78.0	26.4	31.3	67.2	24	23	244.6