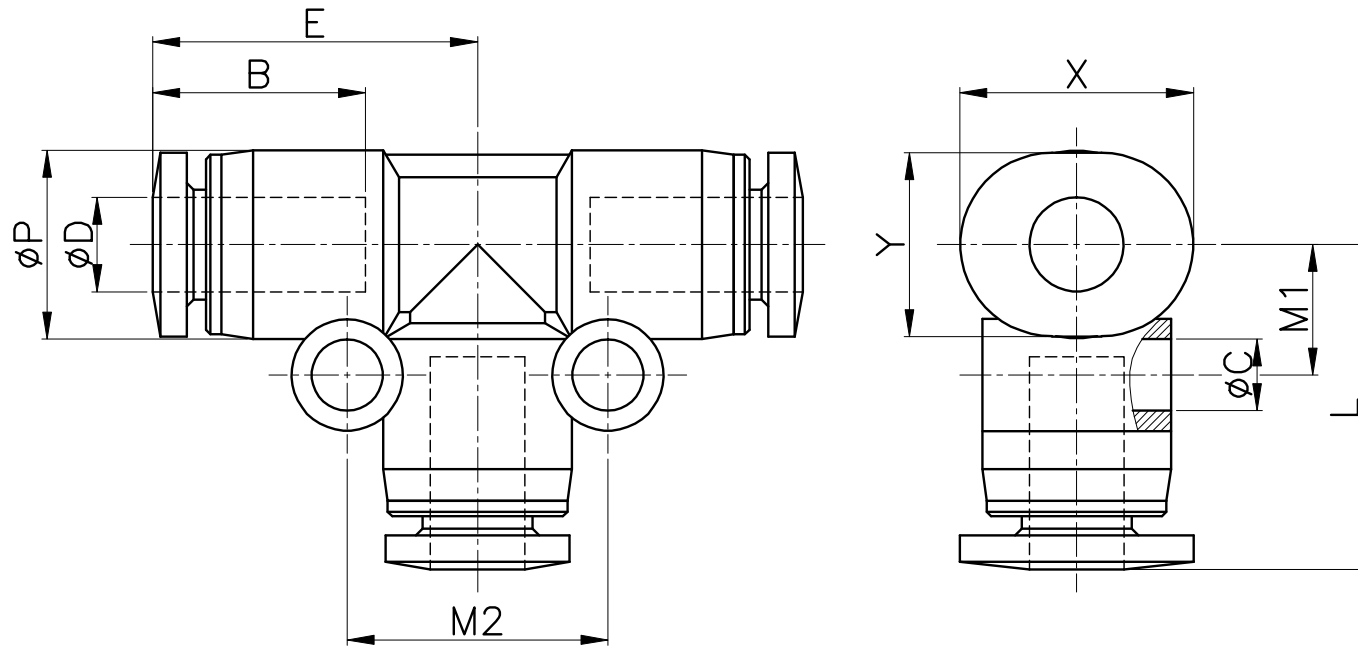


PUT-C



MODEL	ϕD	ϕP	L	E	ϕC	B	M1	M2	X	Y	ORIFICE	WEIGHT (g)	BOX(EA)
PUT 03C	3	7.5	13.5	13.5	3.2	11.3	5.4	10.7	9.2	7.2	2.4	3.0	100
PUT 04C	4	8.4	14.5	14.5		11.8	5.8	11.6	10.4	8.2	3.0	3.0	100
PUT 06C	6	10.6	16.5	16.5		12.8	6.9	13.8	12.4	10.2	4.0	6.0	100