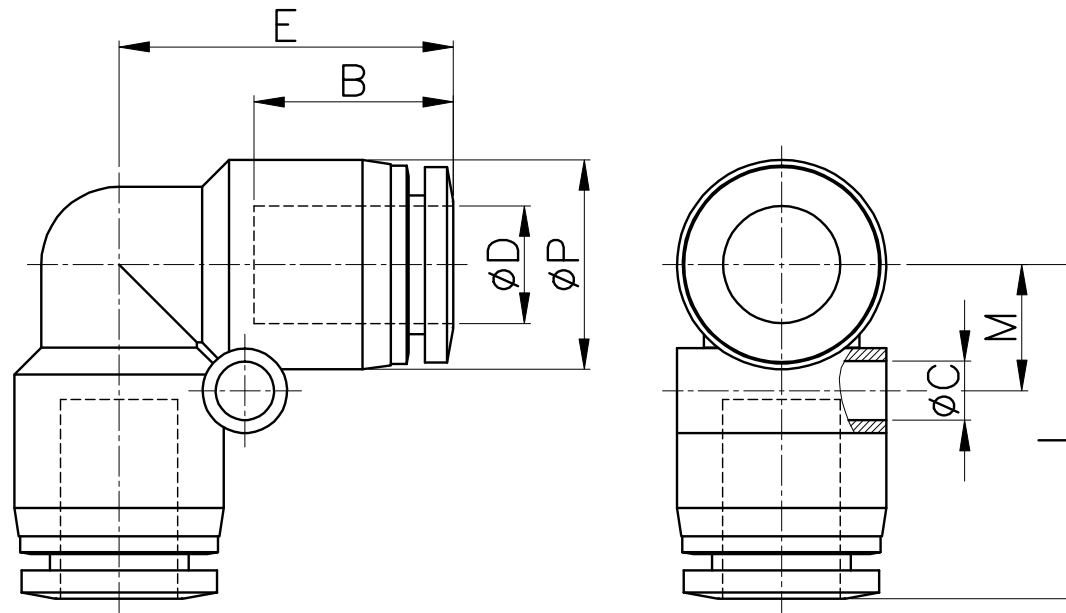


# PUL



MODEL	øD	øP	L	E	øC	B	M	ORIFICE	WEIGHT (g)	BOX(EA)
PUL 04	4	10.6	18.7	18.7	3.3	14.8	6.9	3.4	5.0	100
PUL 06	6	12.5	21.3	21.3	4.2	16.4	8.4	5.0	6.0	100
PUL 08	8	14.8	23.6	23.6	4.2	18.3	8.9	6.8	9.0	50
PUL 10	10	17.5	25.4	25.4	4.3	20.2	10.9	8.0	13.0	50
PUL 12	12	20.5	29.9	29.9	4.3	22.9	12.4	10.0	22.0	25
PUL 14	14	23.0	31.9	31.9	4.3	23.7	13.7	12.0	24.0	20
PUL 16	16	25.5	34.3	34.3	5.3	24.1	15.9	13.0	36.0	20