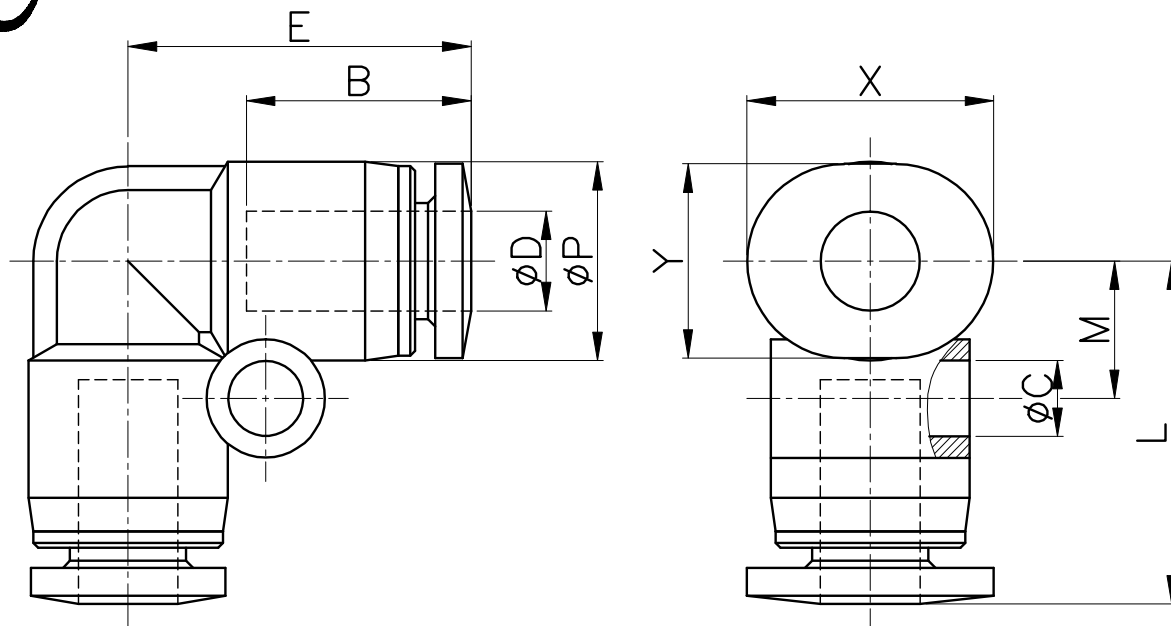


PUL-C



MODEL	ϕD	ϕP	L	E	ϕC	B	M	X	Y	ORIFICE	WEIGHT (g)	BOX(EA)
PUL 03C	3	7.5	13.5	13.5	3.2	11.3	5.4	9.2	7.2	2.4	2.0	100
PUL 04C	4	8.4	14.5	14.5		11.8	5.8	10.4	8.2	3.0	3.0	100
PUL 06C	6	10.6	16.5	16.5		12.8	6.9	12.4	10.2	4.0	3.0	100