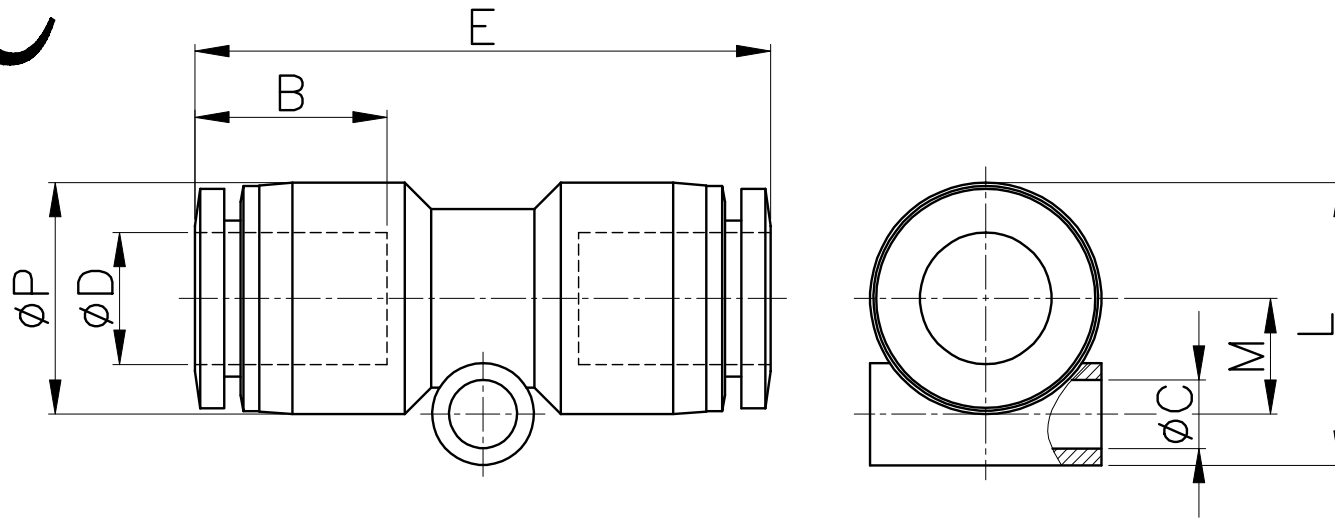


PUC



MODEL	ϕD	ϕP	L	E	ϕC	B	M	ORIFICE	WEIGHT (g)	BOX(EA)
PUC 04	4	10.5	12.8	33.9	3.3	14.8	4.5	3.4	4.0	100
PUC 06	6	12.5	15.3	36.4	3.3	16.4	6.0	5.0	7.0	100
PUC 08	8	14.8	18.4	39.2	4.5	18.3	7.5	6.8	9.0	50
PUC 10	10	17.5	20.1	43.5	4.3	19.7	7.8	8.0	13.0	50
PUC 12	12	20.5	23.7	48.3	4.3	22.9	9.9	10.0	20.0	25
PUC 14	14	23.0	—	50.0	—	23.7	—	12.0	21.0	25
PUC 16	16	25.5	—	51.6	—	24.1	—	13.0	29.0	25