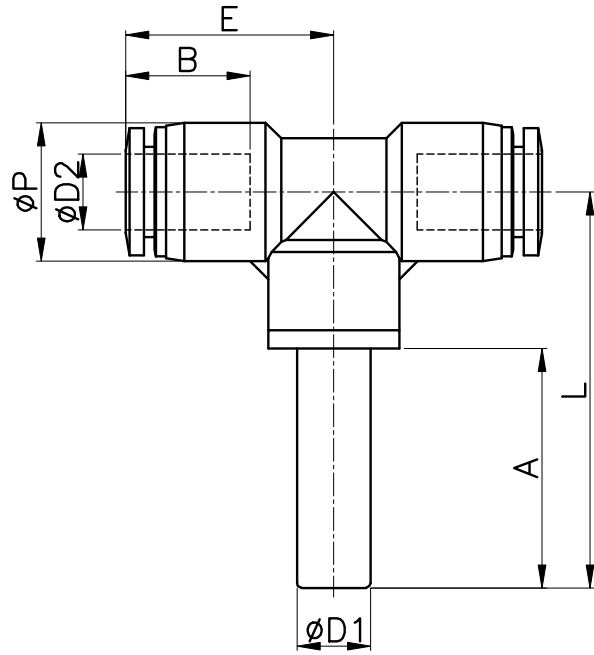


PTJ



MODEL	$\phi D1$	$\phi D2$	ϕP	L	E	A	B	ORIFICE	WEIGHT (g)	BOX(EA)
PTJ 04	4	4	10.5	37.5	18.5	24.0	14.8	2.6	6.0	50
PTJ 06	6	6	12.5	40.5	20.3	25.0	16.4	4.0	9.0	50
PTJ 08	8	8	15.0	43.0	22.6	26.0	18.3	5.6	12.0	50
PTJ 10	10	10	17.5	45.8	25.2	28.0	20.2	7.0	16.0	25
PTJ 12	12	12	20.5	50.9	28.7	30.0	22.9	9.0	25.0	25
PTJ 0604	6	4	10.5	38.5	18.5	25.0	14.8	2.5	9.0	50
PTJ 0806	8	6	12.5	41.5	20.3	26.0	16.4	4.0	12.0	50
PTJ 1008	10	8	15.0	45.0	22.6	28.0	18.3	5.6	16.0	25
PTJ 1210	12	10	17.5	48.0	25.2	30.0	20.2	7.5	25.0	25