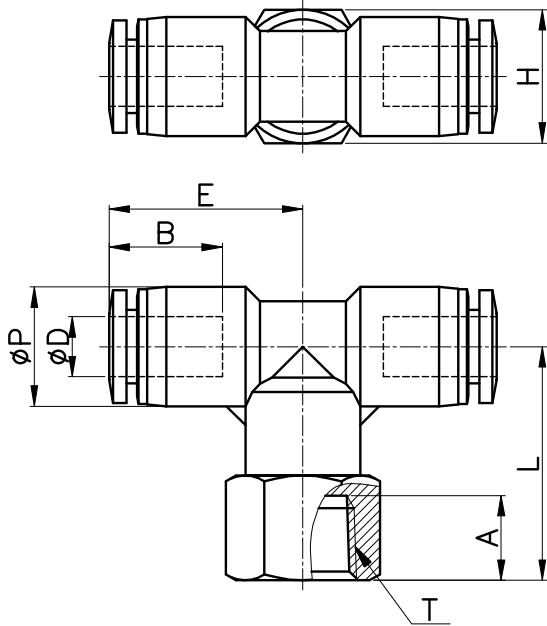


# PTF



| MODEL     | ØD | ØP   | T       | L    | E    | A    | B    | H<br>(Hex) | ORIFICE | WEIGHT<br>(g) | BOX(EA) |
|-----------|----|------|---------|------|------|------|------|------------|---------|---------------|---------|
| PTF 04-M5 | 4  | 10.5 | M5*0.8p | 21.5 | 18.5 | 8.0  | 14.8 | 10         | 3.0     | 12.0          | 100     |
| PTF 04-M6 |    |      | M6*1.0p | 21.5 |      | 8.0  |      | 10         |         | 12.0          | 100     |
| PTF 04-01 |    |      | Rc 1/8  | 22.5 |      | 9.0  |      | 14         |         | 10.0          | 100     |
| PTF 04-02 |    |      | Rc 1/4  | 24.5 |      | 11.0 |      | 17         |         | 22.0          | 50      |
| PTF 06-M5 | 6  | 12.5 | M5*0.8p | 23.5 | 20.3 | 8.0  | 16.4 | 12         | 4.2     | 19.0          | 50      |
| PTF 06-M6 |    |      | M6*1.0p | 23.5 |      | 8.0  |      | 12         |         | 18.0          | 50      |
| PTF 06-01 |    |      | Rc 1/8  | 24.5 |      | 9.0  |      | 14         | 20.0    | 50            |         |
| PTF 06-02 |    |      | Rc 1/4  | 26.5 |      | 11.0 |      | 17         | 26.0    | 50            |         |
| PTF 06-03 |    |      | Rc 3/8  | 27.5 |      | 12.0 |      | 22         | 41.0    | 25            |         |
| PTF 08-01 | 8  | 15.0 | Rc 1/8  | 26.0 | 22.6 | 9.0  | 18.3 | 14         | 6.0     | 23.0          | 50      |
| PTF 08-02 |    |      | Rc 1/4  | 28.0 |      | 11.0 |      | 17         |         | 31.0          | 25      |
| PTF 08-03 |    |      | Rc 3/8  | 29.0 |      | 12.0 |      | 22         |         | 44.0          | 25      |
| PTF 08-04 |    |      | Rc 1/2  | 31.0 |      | 14.0 |      | 24         |         | 42.0          | 25      |
| PTF 10-01 | 10 | 17.5 | Rc 1/8  | 28.5 | 25.2 | 9.0  | 20.2 | 17         | 7.0     | 42.0          | 25      |
| PTF 10-02 |    |      | Rc 1/4  | 28.5 |      | 11.0 |      | 17         |         | 37.0          | 25      |
| PTF 10-03 |    |      | Rc 3/8  | 29.5 |      | 12.0 |      | 22         |         | 51.0          | 20      |
| PTF 10-04 |    |      | Rc 1/2  | 31.5 |      | 14.0 |      | 24         |         | 52.0          | 20      |
| PTF 12-02 | 12 | 20.5 | Rc 1/4  | 31.4 | 28.7 | 11.0 | 22.9 | 19         | 10.0    | 52.0          | 20      |
| PTF 12-03 |    |      | Rc 3/8  | 32.4 |      | 12.0 |      | 22         |         | 58.0          | 20      |
| PTF 12-04 |    |      | Rc 1/2  | 34.4 |      | 14.0 |      | 24         |         | 61.0          | 15      |