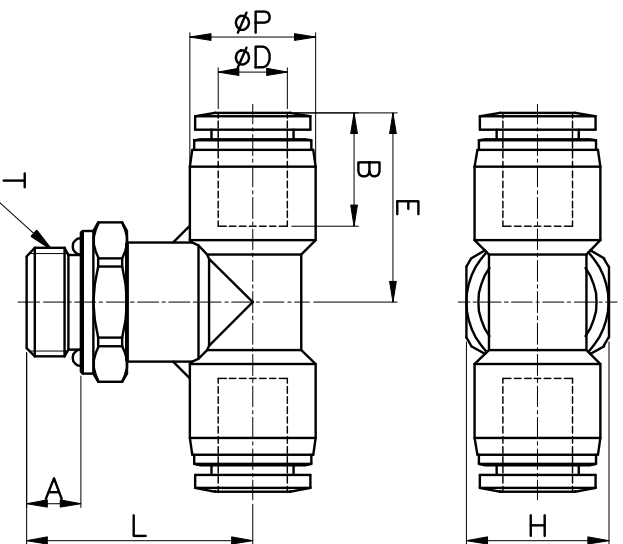


PT-G



MODEL	∅D	∅P	T	L	E	A	B	H ^H (Hex)	ORIFICE	WEIGHT (g)	BOX(EA)
PT 04-G01	4	10.5	G 1/8	21.5	18.5	5.0	14.8	14	3.0	11.0	100
			G 1/4	23.5		6.5		17		16.0	100
PT 04-G03	4	10.5	G 3/8	23.0	18.5	6.5	14.8	20	3.0	23.0	50
			G 1/8	23.5		5.0		14		17.0	50
PT 06-G02	6	12.5	G 1/4	25.5	20.3	6.5	16.4	17	4.0	23.0	50
			G 3/8	25.0		6.5		20		26.0	50
PT 08-G01	8	15.0	G 1/8	25.0	22.6	5.0	18.3	14	6.0	23.0	50
			G 1/4	27.0		6.5		17		27.0	50
PT 08-G03	8	15.0	G 3/8	26.5	22.6	6.5	18.3	20	6.0	31.0	50
			G 1/2	28.0		8.0		24		51.0	25
PT 10-G01	10	17.5	G 1/8	25.5	25.2	5.0	20.2	17	6.0	36.0	25
			G 1/4	27.5		6.5		17		40.0	25
PT 10-G03	10	17.5	G 3/8	27.0	25.2	6.5	20.2	20	8.0	41.0	25
			G 1/2	28.5		8.0		24		60.0	25
PT 12-G02	12	20.5	G 1/4	30.4	28.7	6.5	22.9	19	8.0	47.0	25
			G 3/8	29.9		6.5		20		56.0	25
PT 12-G04	12	20.5	G 1/2	31.4	28.7	8.0	22.9	24	10.0	76.0	20
			G 3/8	40.8		6.5		24		77.0	12
PT 16-G04	16	25.5	G 1/2	41.8	32.8	8.0	24.1	24	13.0	97.0	12
			G 3/8	40.8		6.5		24		77.0	12