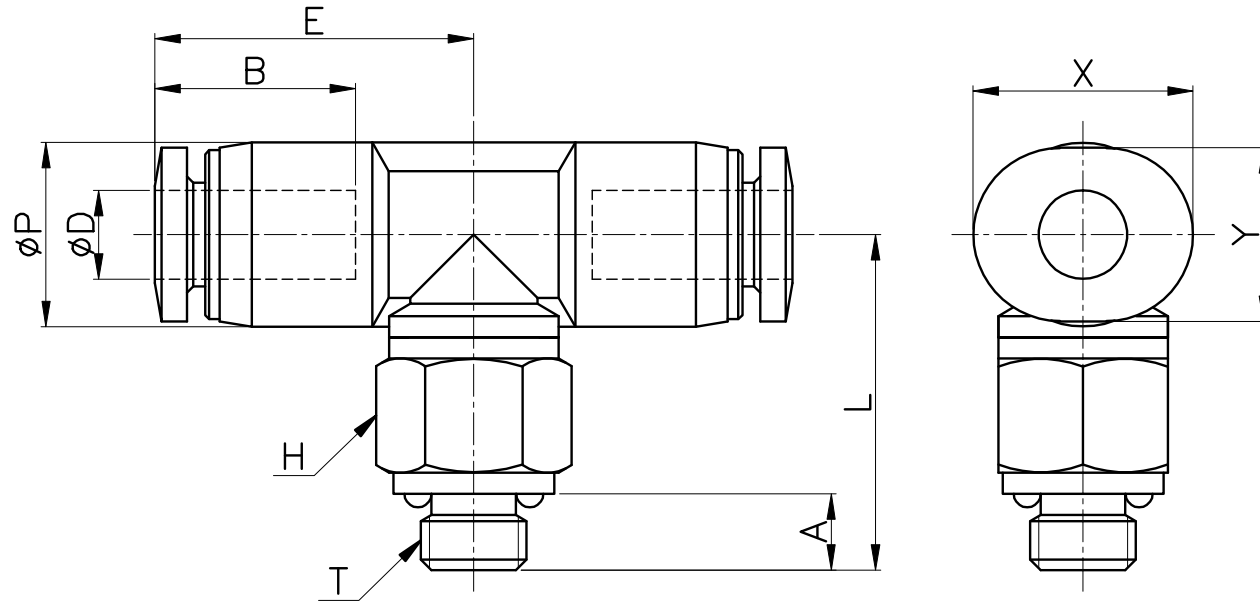


PT-C



MODEL	ϕD	ϕP	T	L	E	A	B	H (Hex)	X	Y	ORIFICE	WEIGHT (g)	BOX(EA)
PT 03-M3C	3	7.6	M3*0.5p	14.7	14.5	3.0	11.3	8	9.2	7.2	1.5	4.0	100
PT 03-M5C			M5*0.8p	15.3		3.6		8			2.5	5.0	100
PT 03-M6C			M6*1.0p	15.8		4.1		8			5.0	100	
PT 04-M3C	4	8.7	M3*0.5p	15.3	15.1	3.0	11.8	8	10.4	8.2	1.5	5.0	100
PT 04-M5C			M5*0.8p	15.9		3.6		8			2.5	5.0	100
PT 04-M6C			M6*1.0p	16.4		4.1		8			6.0	100	
PT 04-01C			R 1/8	16.4		8.0		10			3.0	7.0	100
PT 06-M5C	6	10.8	M5*0.8p	16.9	16.0	3.6	12.8	8	12.4	10.2	2.5	7.0	100
PT 06-M6C			M6*1.0p	17.4		4.1		8			7.0	100	
PT 06-01C			R 1/8	17.4		8.0		10			3.0	9.0	100