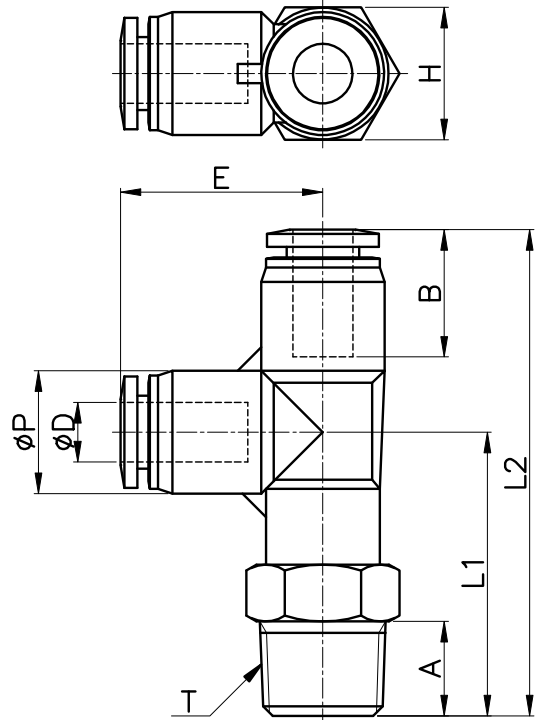


PST



MODEL	ϕD	ϕP	T	L1	L2	E	A	B	H (Hex)	ORIFICE	WEIGHT (g)	BOX(EA)			
PST 04-M5	4	10.6	M5*0.8p	21.5	41.0	19.5	4.0	14.8	10	2.5	10.0	100			
PST 04-M6			M6*1.0p	21.6	41.1		4.1		10				10.0	100	
PST 04-01			R 1/8	25.5	45.0		8.0		10				12.0	100	
PST 04-02			R 1/4	27.5	47.0		10.0		14				18.0	100	
PST 04-03			R 3/8	28.5	48.0		11.0		17				27.0	50	
PST 06-M5	6	13.0	M5*0.8p	23.0	44.4	21.4	4.0	16.4	12	2.5	15.0	50			
PST 06-M6			M6*1.0p	23.1	44.5		4.1		12				3.0	15.0	50
PST 06-01			R 1/8	27.0	48.4		8.0		12				4.0	19.0	50
PST 06-02			R 1/4	30.0	51.4		10.0		14					23.0	50
PST 06-03			R 3/8	31.0	52.4		11.0		17					31.0	50
PST 06-04	R 1/2	34.0	55.4	14.0	21	56.0	25								
PST 08-01	8	15.0	R 1/8	28.8	52.1	23.4	8.0	18.3	14	6.0	17.0	50			
PST 08-02			R 1/4	31.8	55.1		10.0		14		25.0	50			
PST 08-03			R 3/8	32.8	56.1		11.0		17		30.0	50			
PST 08-04			R 1/2	35.8	59.1		14.0		21		54.0	25			
PST 10-01	10	18.0	R 1/8	30.0	55.8	25.8	8.0	20.2	17	6.0	34.0	25			
PST 10-02			R 1/4	33.0	58.8		10.0		17		36.0	25			
PST 10-03			R 3/8	34.0	59.8		11.0		17		8.0	38.0	25		
PST 10-04			R 1/2	37.0	62.8		14.0		21		60.0	25			
PST 12-01	12	20.8	R 1/8	32.9	63.1	30.2	8.0	22.9	19	6.0	51.0	25			
PST 12-02			R 1/4	34.9	65.1		10.0		19		9.0	50.0	25		
PST 12-03			R 3/8	35.9	66.1		11.0		19	10.0	52.0	25			
PST 12-04			R 1/2	38.9	69.1		14.0		21		66.0	20			