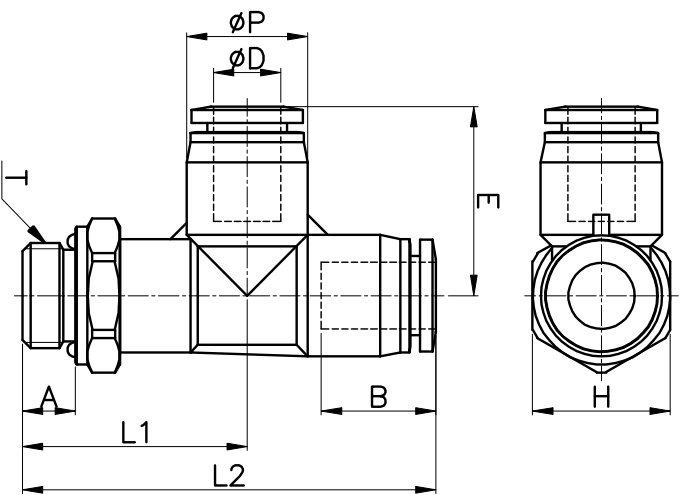


PST-G



MODEL	øD	øP	T	L1	L2	E	A	B	H (Hex)	ORIFICE	WEIGHT (g)	BOX(EA)
PST 04-G01	4	10.6	G 1/8	22.5	42.0	19.5	5.0	14.8	14	3.0	14.0	100
PST 04-G02			G 1/4	24.5	44.0		6.5		17		18.0	100
PST 04-G03	6	13.0	G 3/8	24.0	43.5	21.4	6.5	16.4	20	4.0	24.0	50
PST 06-G01			G 1/8	24.0	45.4		5.0		14		18.0	50
PST 06-G02			G 1/4	26.0	47.4		6.5		17		23.0	50
PST 06-G03			G 3/8	25.5	46.9		6.5		20		27.0	50
PST 08-G01	8	15.0	G 1/8	25.8	49.1	23.4	5.0	18.3	14	6.0	20.0	50
PST 08-G02			G 1/4	27.8	51.1		6.5		17		26.0	50
PST 08-G03			G 3/8	27.3	50.6		6.5		20		28.0	50
PST 08-G04			G 1/2	28.8	52.1		8.0		24		43.0	25
PST 10-G01	10	18.0	G 1/8	27.0	52.8	25.8	5.0	20.2	17	8.0	31.0	25
PST 10-G02			G 1/4	29.0	54.8		6.5		17		32.0	25
PST 10-G03			G 3/8	28.5	54.3		6.5		20		38.0	25
PST 10-G04			G 1/2	30.0	55.8		8.0		24		52.0	25
PST 12-G02	12	20.8	G 1/4	30.9	61.1	30.2	6.5	22.9	19	8.0	45.0	25
PST 12-G03			G 3/8	30.4	60.6		6.5		20		45.0	25
PST 12-G04			G 1/2	31.9	62.1		8.0		24		57.0	20