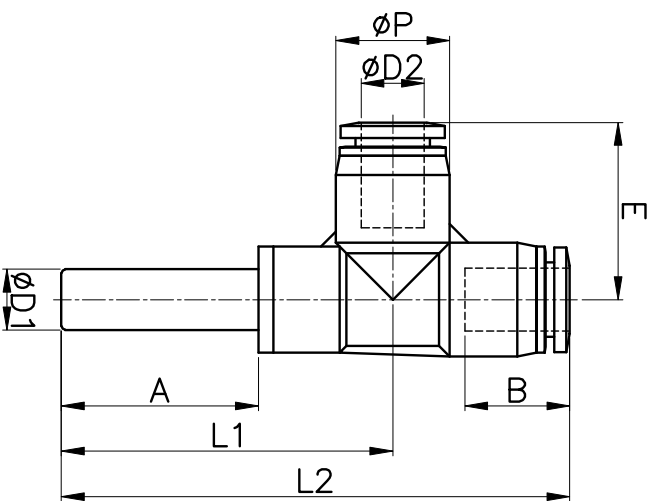


PSJ



MODEL	$\varnothing D1$	$\varnothing D2$	$\varnothing P$	L1	L2	E	A	B	ORIFICE	WEIGHT (g)	BOX(EA)
PSJ 04	4	4	10.6	38.5	58.0	19.5	24.0	14.8	2.6	7.0	50
PSJ 06	6	6	13.0	41.0	62.4	21.4	25.0	16.4	4.0	10.0	50
PSJ 08	8	8	15.0	43.8	67.1	23.4	26.0	18.3	5.6	13.0	50
PSJ 10	10	10	18.0	47.3	73.1	25.8	28.0	20.2	7.0	20.0	25
PSJ 12	12	12	20.8	51.4	81.6	30.2	30.0	22.9	9.0	28.0	25
PSJ 0604	6	4	10.6	39.5	59.0	19.5	25.0	14.8	2.5	8.0	50
PSJ 0806	8	6	13.0	42.0	63.4	21.4	26.0	16.4	4.0	13.0	50
PSJ 1008	10	8	15.0	45.8	69.1	23.4	28.0	18.3	5.6	17.0	25
PSJ 1210	12	10	18.0	49.5	75.3	25.8	30.0	20.2	7.5	28.0	25