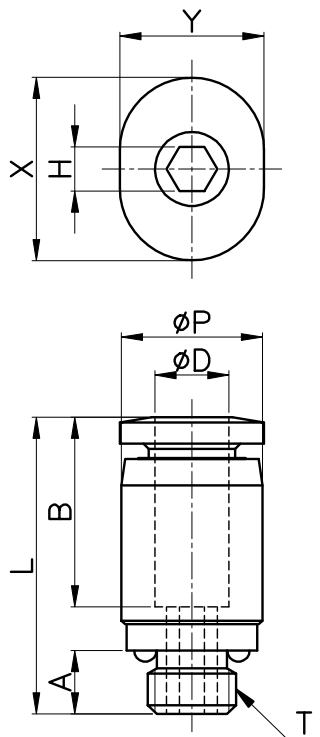


# POC-C



| MODEL      | øD | øP   | T       | L    | A   | B    | H<br>(Hex) | X    | Y    | ORIFICE | WEIGHT<br>(g) | BOX(EA) |
|------------|----|------|---------|------|-----|------|------------|------|------|---------|---------------|---------|
| POC 03-M3C | 3  | 7.0  | M3*0.5p | 16.1 | 3.0 | 11.2 | 1.5        | 9.2  | 7.2  | 1.5     | 2.0           | 100     |
| POC 03-M5C |    |      | M5*0.8p | 16.3 | 3.6 |      | 2.0        |      |      | 2.0     | 100           |         |
| POC 03-M6C |    | 8.0  | M6*1.0p | 16.7 | 4.1 |      | 2.0        |      |      | 4.0     | 100           |         |
| POC 04-M3C | 4  | 8.0  | M3*0.5p | 16.8 | 3.0 | 11.7 | 1.5        | 10.4 | 8.2  | 1.5     | 3.0           | 100     |
| POC 04-M5C |    |      | M5*0.8p | 16.9 | 3.6 |      | 2.5        |      |      | 4.0     | 100           |         |
| POC 04-M6C |    |      | M6*1.0p | 17.2 | 4.1 |      | 3.0        |      |      | 4.0     | 100           |         |
| POC 04-01C |    | 10.0 | R 1/8   | 15.7 | 8.0 |      | 3.0        |      |      | 5.0     | 100           |         |
| POC 06-M5C | 6  | 10.0 | M5*0.8p | 18.6 | 3.6 | 12.7 | 2.5        | 12.4 | 10.2 | 2.5     | 5.0           | 100     |
| POC 06-M6C |    |      | M6*1.0p | 18.6 | 4.1 |      | 3.0        |      |      | 5.0     | 100           |         |
| POC 06-01C |    |      | R 1/8   | 18.9 | 8.0 |      | 4.0        |      |      | 6.0     | 100           |         |