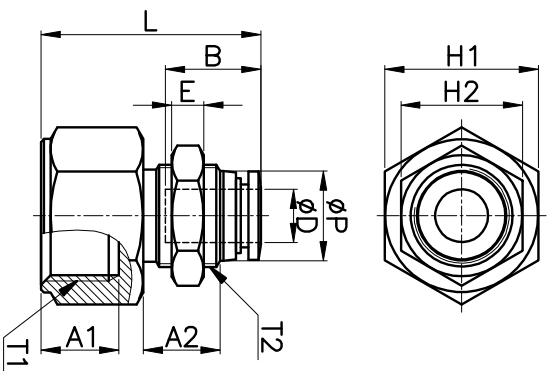


PMF-G



MODEL	ØD	ØP	T1		T2	L	E	A1		A2	B	H1 (Hex)		H2 (Hex)	ORIFICE	WEIGHT (g)	BOX(EA)	
			G 1/8	G 1/4				G 3/8	G 1/2			G 1/4	G 3/8					G 1/2
PMF 04-G01	4	10.0	G 1/8	M12*1.0p	27.1	4	9.0	10.6	14.8	14	17	14	3.5	20.0	100			
PMF 04-G02			G 1/4				11.0									17	25.0	100
PMF 04-G03			G 3/8				12.0									22	37.0	50
PMF 06-G01	6	12.0	G 1/8	M14*1.0p	30.2	4	9.0	11.0	16.4	17	17	17	5.0	32.0	100			
PMF 06-G02			G 1/4				11.0									17	28.0	100
PMF 06-G03			G 3/8				12.0									22	43.0	50
PMF 08-G01	8	14.0	G 1/8	M16*1.0p	31.4	5	9.0	12.0	18.4	19	19	19	6.0	44.0	50			
PMF 08-G02			G 1/4				11.0									19	37.0	50
PMF 08-G03			G 3/8				12.0									22	45.0	50
PMF 10-G02	10	16.1	G 1/4	M20*1.0p	33.6	5	11.0	12.7	19.7	24	24	24	8.5	70.0	50			
PMF 10-G03			G 3/8				12.0									24	62.0	25
PMF 10-G04			G 1/2				14.0									24	53.0	25
PMF 12-G02	12	19.0	G 1/4	M22*1.0p	38.3	5	11.0	17.1	21.9	24	24	26	10.0	84.0	25			
PMF 12-G03			G 3/8				12.0									24	74.0	25
PMF 12-G04			G 1/2				14.0									24	67.0	25